

SyScrew 440-1550 Water EVO **NEW**

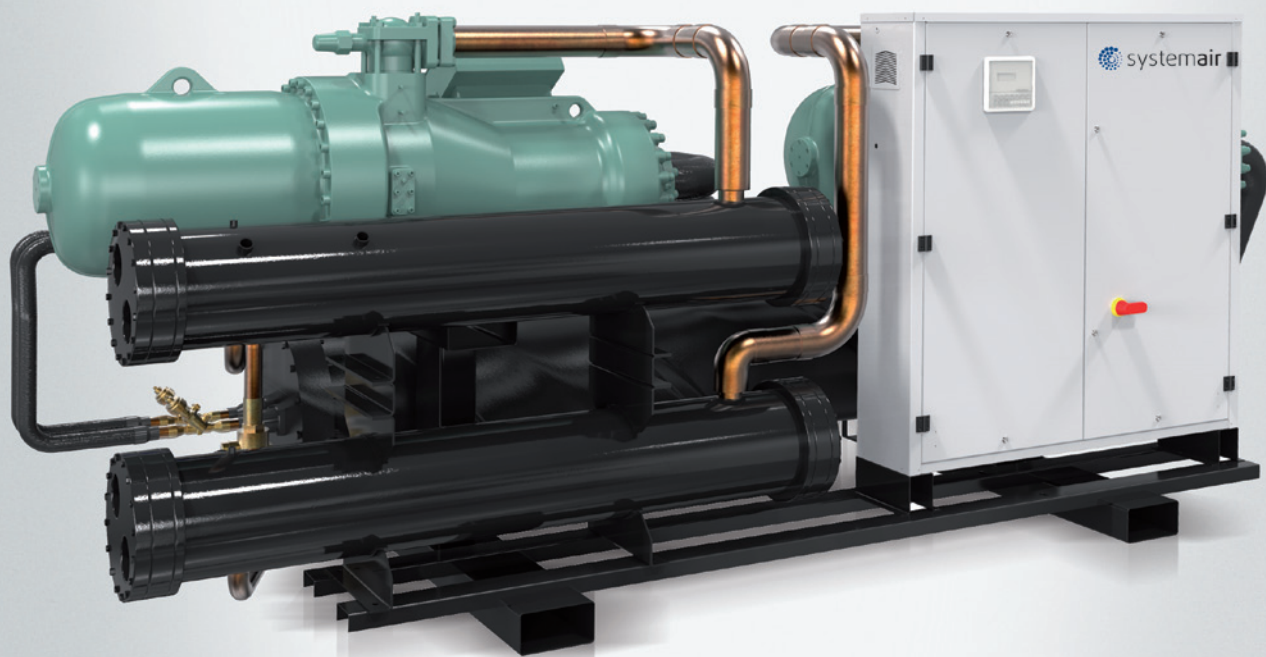
Water Cooled Chillers Cooling Only,
Heat Pump with cycle reversion water side,
Remote Condenser units
Engineering Data Manual



R134a



444 to 1567 kW



Features & Strength Points

SyScrew 440-1550 Water EVO is the new series of high efficiency [Water cooled chillers](#), [Heat pump with cycle reversal water side](#), [Remote condenser](#) units, equipped with one or two refrigerant circuits, twin-screw compressors, shell & tube heat exchangers.

Ranging from 440 to 1.550 kW nominal cooling capacity, SyScrew Water EVO is available in 15 different [sizes](#), two different [versions](#) according [sound level](#) (Basic Low Noise, Super Low Noise), extended envelope version ([Brine Cooling](#)).

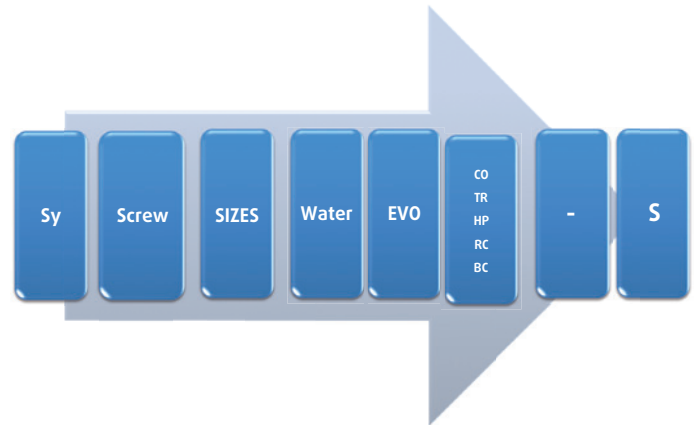
Refrigerant components have been selected in order to reach [top class efficiency](#) performances both at full load (EER up to 5.1) and at partial load (ESEER up to 6.2).

Strength points of this new line are:

- [Compressor optimization](#) (high / low pressure ratio), according application
- High efficiency shell and tube [pure counter flow evaporator](#)
- New generation [shell and tubes condenser](#)
- [Electronic expansion devices](#) on all units as standard
- A [customized software](#) developed with a modular architecture
- High level of [customization](#)

A list of electrical and mechanical factory installed options such as [heat recovery](#) (partial / total) and [well water / sea water](#) execution (dedicated condenser) or field installed accessories are available to complete the offer.

Specifications



CO = Cooling Only; TR = Total Heat Recovery; HP = Heat Pump (reverse cycle water side); RC = Remote Condenser; BC = Brine Application; Version - = BLN; Version S = Super LN.

General

The new units have been designed to operate with R134a refrigerant. All components have been optimized for this refrigerant. Each unit consists of *one/two* independent **refrigerant circuits** (according capacity size) complete with **screw compressors**, pure **counterflow shell and tube evaporator**, new generation **shell and tube condenser** and **electronic expansion valve**. The units are available in 15 sizes, with a nominal capacity range from 439 to 1.571 kW.

3 different versions are available:

- **Cooling only units (CO)**
- **Heat pump** with cycle reversion water side (**HP**)
- **Remote condenser units (RC)**

Each version can be supplied with 2 **acoustic** options:

- **Basic Low Noise (-)**: units are supplied without compressors box
- **Super Low Noise (S)**: units are supplied with compressors box and additional insulation panels on the cabinet in order to furtherly reduce noise impact

Two **heat recovery** options are available:

- **Desuperheater (D)**: all the versions can be supplied with plate type heat exchangers fitted, one on each refrigerant circuit, on the compressor discharge line to recover about 20 % of the total heat rejected to the condensers
- **Total Heat Recovery (TR)**: cooling only units can be supplied with suitable heat exchanger to recover 100 % of heat rejection by the condensers

One additional version can be supplied in order to extend operating envelope:

- **Brine Cooling (BC)**: units are supplied with dedicated components on refrigeration system and proper control setting in order to allow operation with brines (typically ethylenic or propylenic glycol) down to -8°C.

Cabinet and structure

The unit structure is made of black painted carbon steel. The unit cabinet is made of heavy gauge galvanized steel, individually painted, with a polyester powder based painting (RAL 7040), under a special painting process before the assembly of the unit. This painting system performs and stands a homogeneous protection of the corrosion. All parts of the structure are totally fastened with stainless steel bolts and rivets.

Refrigerant circuits

The units are composed of a single refrigerant circuit – from size 440 to size 770 – and of two independent and separate refrigerant circuits – from size 860 to size 1550. Each refrigerant circuit is equipped with discharge line shut-off valves, filter-drier with solid core, sight glass and electronic expansion valve. The functional diagram of each circuit is shown in the section “Refrigerant flow diagram”.

Semi-hermetic screw compressors

Compressors are semi-hermetic high-efficiency twin-screw type, featuring an integrated oil separator and step or stepless capacity control ranging from 25 to 100%. Compressors are optimized to work with low pressure ratio in case of cooling only chillers or with high pressure ratio in case of heat pump and remote condenser units. Liquid injection allows operation on a wider envelope without compromising unit reliability.

All compressors are fitted with an electronic control system ensuring the following functions:

- Protection against high temperature and excessive load
- Correct direction of rotation
- Phase monitoring

The main features of capacity control are stated below:

- Compressor capacity reduction by means of solenoid

valves;

- Capacity reduction steps relating to each compressor:
 - standard compressors: 25% (at start-up and pump down), 50%, 75% and 100%
 - stepless compressors: infinity steps between 50% and 100%
- Capacity steps on 1 refrigerant circuit units:
 - standard compressors: 3 steps (50%, 75% and 100%)
 - stepless compressors: 50 to 100%
- Capacity steps on 2 refrigerant circuit units:
 - standard compressors: 6 steps (25%, 50%, 63%, 75% and 100%)
 - stepless compressors: 25 to 100%

Furthermore, the screw compressors are provided with control devices to make the units more reliable:

- Electric motor temperature sensor
- Discharge temperature sensor

The compressors are supplied a Star-Delta starting system. Soft starter and power factor correction capacitor options are available on request.

For this specific range two types of compressor are used according application, in order to have the best possible efficiency:

- Low pressure ratio optimized: used on CO units.
- High pressure ratio optimized: used on HP and RC units.

Evaporator

Evaporator is direct expansion shell & tube type, with an innovative refrigerant distribution system and single-pass pure countercurrent design, so as to reach maximum efficiency and new levels of competitiveness.

Pipe bundle is made of inner grooved tubes to maximize the R134a heat transfer coefficient and to limit the negative effects of refrigerant pressure drop. Steel housing is insulated by UV resistant closed cell polyethylene foam material. Water temperature probes are protecting the unit against ice while the unit is operating.

Water connections of heat exchanger are of Victaulic type supplied with coupling stub pipe to be welded.

Condenser

Condensers are designed for fresh water application, using carbon steel for shell / tube sheets and covers, last generation of inner grooved and externally corrugated copper piping with an optimized distribution, thermopolymer compound gaskets and teflon baffles. All carbon steel components are sand blasted, including the internal wall of the shell. In case of heat pump application, condenser shells can be insulated by UV resistant closed cell polyethylene foam material to limit heat transfer to environment.

Water connections of heat exchanger are of Threaded type supplied with coupling stub pipe to be welded.

Electronic expansion valve

Electronic expansion device offer a precise control of evaporator superheat, so as to protect compressor from the risk of liquid flood-back and to ensure the best use of heat exchange surfaces. The port design includes a shut-off function with "solenoid" tightness in both flow directions in order to avoid refrigerant migration when the unit is in stand-by and to avoid the risk of flooded compressor start-up.

Electrical board

Electrical board is a metal case with IP 42 protection degree, installed on lateral position and protected by one or two access doors according unit size.

Electronic control

The units are supplied with the new microprocessor-based electronic control and management system ensuring the following functions:

- Management of the operation of compressors:
 - Power on/off
 - Anticycle management
 - Unloading for high pressure or high compressor pressure ratio (integrated inside the curves of compressor operating limits)
- Chilled water temperature regulation (control option on inlet water temperature RWT (P+I type) or outlet water temperature LWT (neutral band type) of the evaporator)
- Control of superheating on suction line through electronic expansion valves
- Evaporator antifreeze protection
- Management of high and low pressure alarms
- Management of external interlocks
- Management of the remote control:
 - Unit power on/off
 - Summary alarm signals
- Remote signalling, by free contacts:
 - Voltage presence
 - Compressors in operation
 - Circuit alarm unit
- Management of external hydro kit (both evaporator and condenser side)
- Management of heat recovery mode

The unit controller can also clearly show all control parameters of the machine on the liquid crystal display, such as:

- Display of superheating value
- Display of the temperature at the evaporator inlet and outlet
- Display of refrigerant discharge and suction pressure.
- Display of the set point
- Display of EEV opening steps
- Display of the various alarm and operation status:
 - Compressor start-up alarm (discharge pressure check)
 - Low / High pressure

- Low / High super-heating
- Evaporator antifreeze
- Flow switch signal for lack of water
- Control of the compressor operating hours
- Compressors in operation
- Pump in operation
- Thermal protection of compressors
- Faulty sensors.

Control and safety devices

Each unit is fitted with the following devices:

Safety:

- Power disconnect switch with an emergency stop function
- Safety valve on the discharge line (HP side) set to 21 bar
- Safety valve on the suction line (LP side) set to 14.5 bar
- HP switches (double on each circuit) set to 19 bar, manual reset to be reinitialized from control board
- LP switches (one for each circuit) set to 0.5 bar, manual reset to be reinitialized from control board
- Antifreeze temperature sensor (set to +4 °C) on the evaporator
- Discharge gas temperature protection, on the discharge line of each compressor

Control:

- HP and LP transducers
- Evaporator water inlet temperature sensor
- Evaporator water outlet temperature sensor (with an antifreeze function)
- Suction temperature sensor for EEV control
- Heat recovery condenser temperature sensor (optional)
- 0-10 V analogue signal, for condensing control (optional)
- Dynamic set-point management, according outdoor air temperature, current / voltage outdoor input (optional)

Conformity with standards

The following applies to all the sizes and versions of units:

- Machine Directive: 2006/42/EC
- Low Voltage Directive: 2006/95/EC
- Electromagnetic Compatibility Directive: 2004/108/EC
- Pressure Equipment Directive: 97/23/EC

Standard equipment

- Set point timer/clock card
- ModBus protocol kit for BMS
- Back light display
- Digital pressure and temperature reading
- High pressure control on capacity
- Sequence phase control
- Electronic expansion valves
- Compressor Star/Delta start-up
- Control circuit transformer 400 V/230 V
- Data logger
- Power supply without neutral
- Main switch

- Shell and tube evaporator
- Compressor acoustic box (S version only)

Factory-installed options

- Compressor soft starter
- Double set point
- Power factor correction capacitors
- Automatic circuit breakers
- Mechanical gauges kit (HP and LP manometers)
- Compressor suction valves
- Compressor liquid injection
- Compressor oil cooler
- Compressor oil switch (standard on stepless control option)
- Stepless capacity control
- Antifreeze electrical heater
- Marine application (Cu/Ni) condensers
- Well application condensers
- Partial heat recovery (D)
- Total heat recovery (TR)

Field-installed accessories

- Remote ON/OFF control
- Lonwork protocol kit for BMS or Ethernet
- Bacnet protocol kit for BMS or Ethernet
- Remote keyboard panel
- Sequencer for up to 4 chillers installation
- GSM
- Spring anti-vibration mounts
- Flow switch
- Water filter
- Hydraulic manifolds
- Remote hydro kits with buffer tank, 1 or 2 low or high pressure pump(s), relevant accessories and with or without tank antifreeze heater

Accessories & Options

SyScrew 440-1550 Water EVO	Delivery	Abbreviation	Description & Befenit
Set point timer/Clock card	Std	CLK	To schedule 4 different interval time with different active water T setpoint.
Back light display	Std		User Display panel mounted. Suggested for outdoor installation.
Digital pressures and temperatures reading Kit	Std		Pressure Transducers & Sensors to show the Discharge and Suction pressure and temperature during running condition.
High pressure control on capacity	Std		Functions able to protect multistage circuit from High discharge pressure values. Circuit is partloaded whenever the Discharge pressure is too high to prevent HP tripping.
Sequence phases control	Std	PHC	It allows to check the correct sense R-S-T of electric supply phases for 400/3/50 units.
Electronic expansion valves	Std	EEV	It is the device able to control the refrigerant flow on suction line trough a stepper motor in order to keep the superheat as constant as possible.
Control circuit transformer 400V/230V	Std	TRF	Voltage transformer to provide correctly the separated voltage to the auxiliary line.
Data logger	Std	DL	Record continuously the essential thermodynamic operating parameters, during the last hours. This facilitates debug and service activity on field.
Power supply without neutral	Std	3PH	Unit to be supplied with 400/3/50. No need of Neutral cable.
Main switch	Std		Front operated switch-disconnector with direct mounted handle to cut the power Supply Line according CE standards.
Modbus protocol kit for BMS	Std	MBS	It permits the integration of the unit with BMS with Modbus protocol trough RS485 port.
Double set point	Option	DSP	Can manage two different applications (set point) selected by remote dry contact Circuit 1 and Circuit 2. On/Off or Part Load by remote Dry contact.
Antifreeze electric heater kit	Option	EEH	Electrical Heater protects the heat exchanger.
Lonwork protocol kit for BMS	Option	LON	It permits the integration of the unit with BMS with Lonwork Network.
Bacnet protocol kit for BMS	Option	BAC	It permits the integration of the unit with BMS with Bacnet protocol trough RS485 port.
Interface Kit ethernet/webctrl pcos (Modbus & Bacnet already included)	Option		It permits the integration of the unit with BMS with Modbus or Bacnet protocol trough Ethernet port (TCP/IP).
Softstarter for compressor	Option	SS	An electronic device that automatically starts up the compressors gradually. The starting current can be reduced by up to 40% of the direct on line value.
Power factor corrector capacitors	Option	PFC	The purpose of the power factor corrector capacitor is to minimize the input current distortion and make the current in phase with the voltage. Target is to keep Power Factor about 0.90 in any running condition.
GSM	Option	GSM	Makes it possible to check the working mode or the switching on/off of the unit via SMS. In case of any alarms, the unit sends an SMS to the user.
Automatic circuit breaker	Option	ACB	ACB is an automatically operated electrical switch designed to protect an electrical circuit from damage caused by overload or short circuit. Providing Magnetic and Thermal protection to Fan and Compressor motors.
Mechanical gauges kit (HP and LP manometers)	Option	KM	Pressure gauges that display the operating pressure in the high and low pressure sections of the refrigerant circuit.
Compressor suction valves	Option	CSV	Allow dissecting the compressor from the rest of the refrigerant system for maintenance operations.
Marine application (Cu/Ni) condensers	Option	Cu/Ni	Dedicated execution allowing operation with sea water to reject heat from condensers.
Total heat recovery	Option	TR	Additional exchanger in order to recover 100% of capacity for Domestic Hot Water application.
Desuperheater	Option	D	Additional exchanger in order to recover 20% of capacity for Domestic Hot Water application.
Well application condensers	Option		Dedicated execution allowing operation with well water (low temperature and high Dt) to reject heat from condensers.
Brine Version	Option		Special Version with dedicate devices on refrigeration system allow the units to operate with brine (ethylenic or propylenic glycol) down to -8°C.

Accessories are loosed and to install in the field. Options are mounted in factory.

Accessories & Options (continued)

SyScrew 440-1550 Water EVO	Delivery	Abbreviation	Description & Befenit
Remote On/Off control	Accessory		It enables the operator to power on the unit when it is in standby mode, to display alarms and switch over cooling-heat pump. Maximum lenght: 50mt.
Remote keyboard panel	Accessory		Makes it possible to control the unit through the remote terminal, up to a maximum distance of 400mt of telephone cable.
Sequencer for up to 4 chillers installation	Accessory	SEQ	It can easily pilot up to 4 units, chiller or heat pumps, belonging to the same family, fitted in parallel, 50 metres apart maximum.
Flow switch	Accessory	FS	Prevents the operation of the unit if the circulating chilled fluid is insufficient. It is recommended to install a flow switch to ensure the correct operation of the unit.
Water filter	Accessory		Filter to remove impurities from the water supply.

Accessories are loosed and to install in the field. Options are mounted in factory.

EN 14511

Starting 2012 Campaign Eurovent Certification Company took decision to start certify only performances declared in according severe European Standard EN14511.

BEFORE 2012: GROSS PERFORMANCES

Before this date all capacity performances are declared, measured and certified by Eurovent, as GROSS performances. COOLING or HEATING CAPACITY was rated without taking in account the negative contribution of the heat exchanger Pressure Drop or the positive contribution of the Head Available prevalence in example.

OWER INPUT was rated as pure sum of all power input contribution from all motors fitted on the unit. Without taking in account the correction due to power spent to win the exchanger Pressure Drop in example.

AFTER 2012: NET PERFORMANCES

After this date all data are certified according EN14511. Mainly consequences in example on Water chiller or heatpump are: COOLING or HEATING CAPACITY is now rated taking in account the negative contribution of the heat exchanger Pressure Drop or the positive contribution of the Head Available prevalence in example. In case of Water to Water unit, in example, both exchanger Pressure Drop values are taken in account in the formula.

POWER INPUT is now rated as all power input contribution from all motors fitted on the unit taking in account also the correction due to power spent to win the exchanger Pressure Drop in example.

As an important consequence of these new rules setted by Eurovent is that EER, COP and ESEER are also affected by these correction. All efficiency index are now calculated, measured and certified according new rules setted by Eurovent according EN14511.

Water to water units:

	Indoor pump is an integral part		Indoor pump is not an integral part	
	ECC 2011 (gross)	EN14511	ECC 2011 (gross)	EN14511
Ph	$Ph_m^{(1)}$	$Ph_m - \frac{q_{wi} \Delta p_{e,wi}}{\eta_{pi}}$	Ph_m	$Ph_m + \frac{q_{wi} (-\Delta p_{i,wi})}{\eta_{pi}}$
Pc	$Pc_m^{(1)}$	$Pc_m + \frac{q_{wi} \Delta p_{e,wi}}{\eta_{pi}}$	Pc_m	$Pc_m - \frac{q_{wi} (-\Delta p_{i,wi})}{\eta_{pi}}$
Pe	$Pe_m^{(1)}$	$Pe_m - \frac{q_{wi} \Delta p_{e,wi}}{\eta_{pi}} - \frac{q_{wo} \Delta p_{e,wo}}{\eta_{po}}$	Pe_m	$Pe_m - \frac{q_{wi} (-\Delta p_{i,wi})}{\eta_{pi}} + \frac{q_{wi} (-\Delta p_{i,wo})}{\eta_{po}}$

(1) Measured with pumps not running.

Where:

Ph = NET heating capacity.

Pc = NET cooling capacity.

Pe = electrical power input.

Ph_m = is the gross heat capacity, expressed in Watt.

Pc_m = is the gross cool capacity, expressed in Watt.

q_{wi} = is the nominal liquid flow rate (indoor heat exchanger side).

Δ_{pe,wi} = is the measured available external static pressure (indoor heat exchanger side).

Δ_{pi,wi} = is the measured internal static pressure difference (indoor heat exchanger side).

η_{pi} = is the efficiency of the pump (indoor heat exchanger side).

q_{wo} = is the nominal liquid flow rate (outdoor heat exchanger side).

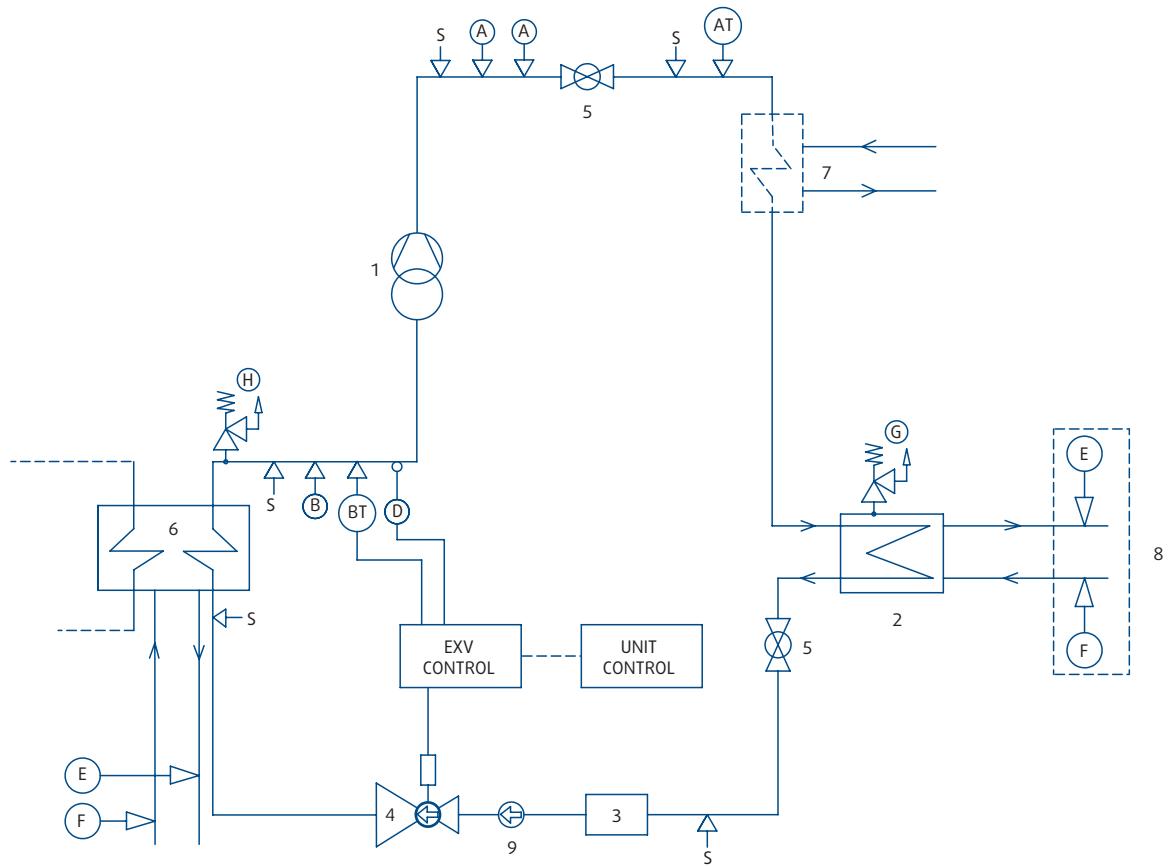
Δ_{pe,wo} = is the measured available external static pressure (outdoor heat exchanger side).

Δ_{pi,wo} = is the measured internal static pressure difference (outdoor heat exchanger side).

η_{po} = is the efficiency of the pump (outdoor heat exchanger side).

Reference: Guidelines for the declaration of performances according to EN14511 (available a copy upon request for Systemair customer).

Refrigerant Flow Diagram - CO/HP/BC versions



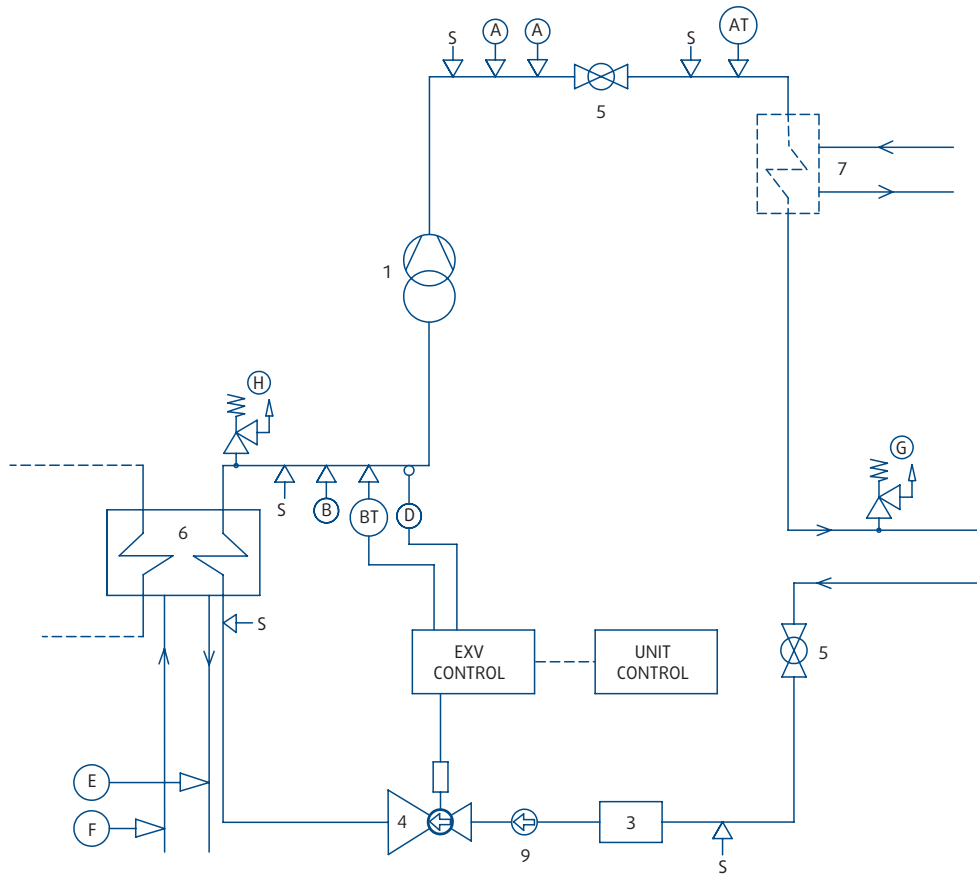
COMPONENTS

- 1 Compressor (Screw type)
- 2 Water condenser
- 3 Filter drier removable cartridge
- 4 Electronic expansion valve
- 5 Globe valve
- 6 Evaporator heat exchanger (Shell&tube type)
- 7 Desuperheater (Optional)
- 8 Water temperature sensor (Only HP version)
- 9 Sight glass

SAFETY/CONTROL DEVICES

- A High pressure switch (19 bar)
- AT High pressure transducer
- B Low pressure switch (0.5 bar)
- BT Low pressure transducer
- D Suction temperature sensor
- E Outlet water temperature sensor
- F Inlet water temperature sensor
- G PED pressure relief valve HP side (21 bar)
- H PED pressure relief valve LP side (14.5 bar)
- S Shradet connection (Service only)
- ↓ Pipe connection with Shradet valve

Refrigerant Flow Diagram - RC version



COMPONENTS

- 1 Compressor (Screw type)
- 3 Filter drier removable cartridge
- 4 Electronic expansion valve
- 5 Globe valve
- 6 Evaporator heat exchanger (Shell&tube type)
- 7 Desuperheater (Optional)
- 9 Sight glass

SAFETY/CONTROL DEVICES

- A High pressure switch (19 bar)
- AT High pressure transducer
- B Low pressure switch (0.5 bar)
- BT Low pressure transducer
- D Suction temperature sensor
- E Outlet water temperature sensor
- F Inlet water temperature sensor
- G PED pressure relief valve HP side (21 bar)
- H PED pressure relief valve LP side (14.5 bar)
- S Shradet connection (Service only)
- ↓ Pipe connection with Shradet valve

Operating Limits

SyScrew 440-700 Water EVO				440		490		570		630		700	
				Min	Max	Min	Max	Min	Max	Min	Max	Min	Max
Indoor heat exchanger fluid	Leaving water temperature	Water outlet	°C	0 to +15 (from 0 to +5 with Water/Glycol)									
		Brine outlet ¹	°C	-8 to 0									
		Temperature spread	K	+7 to +3									
	Flow rate ²	mc/h	55	128	61	142	70	164	79	183	87	204	
	Pressure drop ²	kPa	22	119	15	84	27	144	33	180	15	84	
	Maximum operating pressure	bar	10										
Outdoor heat exchanger fluid	Leaving water temperature	Water outlet	°C	+25 / +45 (CO version); +25 / +60									
		Temperature spread	°K	8 to 3 / up to 15 in case well water condenser are selected									
	Flow rate - circuit 1 ²	mc/h	57	152	63	169	73	195	82	218	91	243	
	Pressure drop - circuit 1 ²	kPa	21	146	20	141	21	152	13	95	17	118	
	Flow rate - circuit 2 ²	mc/h	-	-	-	-	-	-	-	-	-	-	
	Pressure drop - circuit 2 ²	kPa	-	-	-	-	-	-	-	-	-	-	
Maximum operating pressure	bar	10											
Recommended system chilled water volume ³	l	3.344		3.718		4.295		4.794		5.327			
Minimum capacity step	%	50											
Power supply voltage	V	400 V+/-10%, 3 Ø, 50 Hz (nominal)											

SyScrew 770-1070 Water EVO				770		860		920		990		1070	
				Min	Max	Min	Max	Min	Max	Min	Max	Min	Max
Indoor heat exchanger fluid	Leaving water temperature	Water outlet	°C	0 to +15 (from 0 to +5 with Water/Glycol)									
		Brine outlet ¹	°C	-8 to 0									
		Temperature spread	K	+7 to +3									
	Flow rate ²	mc/h	97	226	108	252	115	269	123	287	132	308	
	Pressure drop ²	kPa	19	103	21	116	24	132	22	118	24	132	
	Maximum operating pressure	bar	10										
Outdoor heat exchanger fluid	Leaving water temperature	Water outlet	°C	+25 / +45 (CO version); +25 / +60									
		Temperature spread	°K	8 to 3 / up to 15 in case well water condenser are selected									
	Flow rate - circuit 1 ²	mc/h	101	269	56	150	56	151	64	171	65	172	
	Pressure drop - circuit 1 ²	kPa	20	142	20	142	20	143	20	144	21	146	
	Flow rate - circuit 2 ²	mc/h	-	-	56	150	64	170	64	171	73	194	
	Pressure drop - circuit 2 ²	kPa	-	-	20	142	20	142	20	144	21	151	
Maximum operating pressure	bar	10											
Recommended system chilled water volume ³	l	5.920		6.586		7.044		7.513		8.063			
Minimum capacity step	%	50											
Power supply voltage	V	400 V+/-10%, 3 Ø, 50 Hz (nominal)											

SyScrew 1130-1550 Water EVO				1130		1220		1280		1400		1550	
				Min	Max	Min	Max	Min	Max	Min	Max	Min	Max
Indoor heat exchanger fluid	Leaving water temperature	Water outlet	°C	0 to +15 (from 0 to +5 with Water/Glycol)									
		Brine outlet ¹	°C	-8 to 0									
		Temperature spread	K	+7 to +3									
	Flow rate ²	mc/h	140	326	151	352	158	369	176	411	193	451	
	Pressure drop ²	kPa	27	148	16	90	18	99	32	172	38	208	
	Maximum operating pressure	bar	10										
Outdoor heat exchanger fluid	Leaving water temperature	Water outlet	°C	+25 / +45 (CO version); +25 / +60									
		Temperature spread	°K	8 to 3 / up to 15 in case well water condenser are selected									
	Flow rate - circuit 1 ²	mc/h	73	194	74	197	82	220	92	245	101	268	
	Pressure drop - circuit 1 ²	kPa	21	150	22	155	21	152	16	117	20	141	
	Flow rate - circuit 2 ²	mc/h	73	194	83	222	82	220	92	245	101	268	
	Pressure drop - circuit 2 ²	kPa	21	150	22	154	21	152	16	117	20	141	
Maximum operating pressure	bar	10											
Recommended system chilled water volume ³	l	8.528		9.202		9.664		10.757		11.809			
Minimum capacity step	%	25											
Power supply voltage	V	400 V+/-10%, 3 Ø, 50 Hz (nominal)											

¹ BC version.

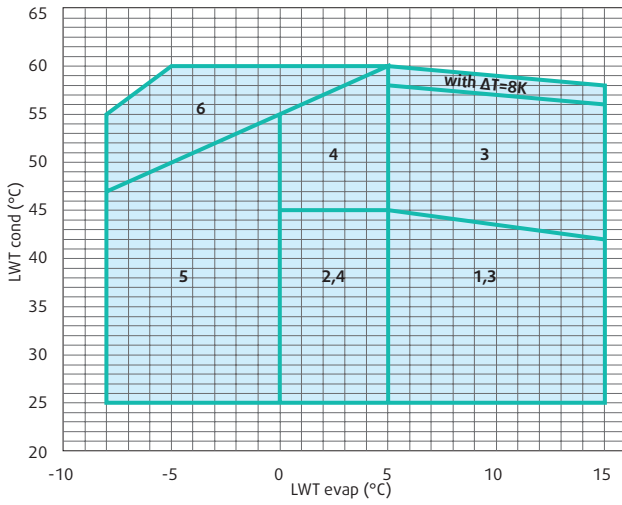
² Total unit flow rate and pressure drop are given for CO unit.

Caution: Minimum flow rates may only be used with brine solutions after reprogramming unit parameters.

³ Table shows minimum water/brine volume of system (about 7.5 lt/kW).

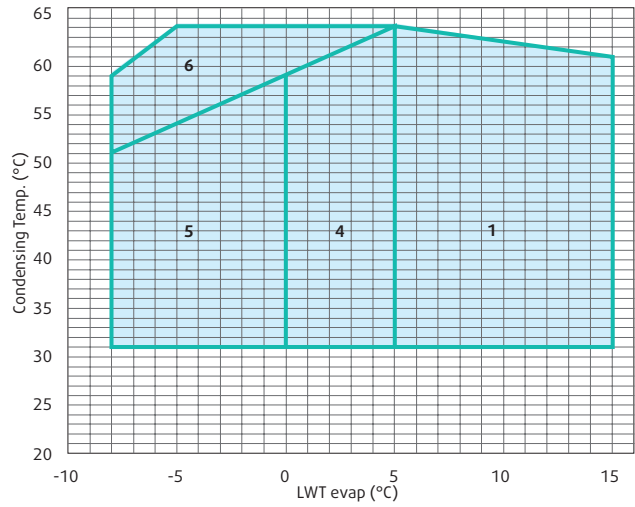
Operating Limits and Correction Factors

CO/HP/BC Version



- 1 Water / CO Version.
- 2 Water + Glycol / CO Version.
- 3 Water / HP Version.
- 4 Water + Glycol / HP Version.
- 5 Brine Version.
- 6 Brine Version + Liquid injection.

RC Version



- 1 Water.
- 4 Water + Glycol.
- 5 Brine Version.
- 6 Brine Version + Liquid injection.

Fouling factors

EVAPORATOR			CONDENSER		
Fouling factor (m ² .°C/kW)	Cooling capacity factor	Power input factor	Fouling factor (m ² .°C/kW)	Cooling capacity factor	Power input factor
0.044	1.000	1.000	0.044	1.000	1.000
0.088	0.987	0.995	0.088	0.987	1.023
0.176	0.964	0.985	0.176	0.955	1.068
0.352	0.915	0.962	0.352	0.910	1.135

Altitude factors

Altitude (m)	Cooling capacity factor	Power input factor
0	1.000	1.000
600	0.987	1.010
1.200	0.973	1.020
1.800	0.958	1.029
2.400	0.943	1.038

Technical Data - SyScrew Water EVO CO - _ / S Version

Model		440	490	570	630	700	770	860	920
Cooling Capacity ^{1,2}	kW	445,9	495,7	572,7	639,2	710,2	789,3	878,2	939,2
Total Input Power ^{1,2}	kW	84,2	94,3	107,4	120,4	135,8	150,0	166,7	178,0
Total Heat Rejection ^{1,2}	kW	530,1	590,0	680,1	759,6	846,0	939,3	1.044,8	1.117,2
EER ²		5,30	5,26	5,33	5,31	5,23	5,26	5,27	5,28
ESEER ²		6,03	5,92	6,18	6,02	5,76	5,81	6,16	6,05
Cooling Capacity ^{1,3}	kW	444,3	494,4	570,4	636,2	708,5	787,1	875,5	936,0
Total Input Power ^{1,3}	kW	87,9	97,8	112,4	125,4	140,2	155,7	173,1	185,2
EER ³		5,06	5,05	5,07	5,07	5,05	5,06	5,06	5,05
Energy Efficiency Class		A	A	A	A	A	A	A	A
EER 75%		5,43	5,35	5,47	5,40	5,44	5,38	5,49	5,35
EER 50%		5,97	5,89	6,14	5,99	5,73	5,80	6,08	5,95
EER 25%		5,93	5,82	6,11	5,98	5,71	5,78	6,55	6,33
ESEER ³		5,75	5,67	5,88	5,76	5,61	5,63	5,97	5,81
Number of Refrigerant Circuits		1	1	1	1	1	1	2	2
Part Load Steps	%	50-75-100						25-50-62-75-87-100	
Power Supply		400V/3/50Hz							
Start-up Type		SD	SD	SD	SD	SD	SD	SD	SD
Refrigerant									
Type		R134a							
Compressor									
Number / Type		1 / Screw						2 / Screw	
Internal heat exchanger (Evaporator)									
Number / Type		1 / Shell & tube (Pure counterflow)							
Water connections type		Victaulic							
Water connections size	inch	6	6	6	6	8	8	8	8
Water flow rate	m ³ /h	76,7	85,3	98,5	109,9	122,2	135,8	151,0	161,5
Water pressure drop	kPa	43	30	52	65	30	37	42	48
Water content	l	143,0	143,0	171,0	171,0	276,0	276,0	379,0	379,0
External heat exchanger (Condenser)									
Number / Type		1 / Shell & tube						2 / Shell & tube	
Water connections type		Victaulic							
Water connections size	inch	4	4	5	5	5	5	4	4
Water flow rate (total)	m ³ /h	91,2	101,5	117,0	130,6	145,5	161,6	179,7	192,2
Water pressure drop cond 1	kPa	53	51	55	34	42	51	51	52
Water pressure drop cond 2	kPa	-	-	-	-	-	-	51	51
Water content cond 1	l	38	44	46	62	62	69	38	38
Water content cond 2	l	-	-	-	-	-	-	38	44
Acoustic Data / Standard unit									
Sound Power Level ⁴	dB(A)	95	95	95	95	95	95	98	98
Sound Pressure Level ⁵	dB(A)	76	76	76	76	76	76	79	79
Acoustic Data / Extra low noise unit (S)									
Sound Power Level ⁴	dB(A)	85	85	85	85	85	85	89	89
Sound Pressure Level ⁵	dB(A)	66	66	66	66	66	66	70	70
Dimensions / Standard unit									
Length	mm	3.620	3.620	4.210	4.210	4.180	4.180	4.400	4.400
Width	mm	1.350	1.350	1.350	1.350	1.350	1.350	1.520	1.520
Height	mm	1.650	1.650	1.650	1.650	1.650	1.650	1.710	1.710
Dimensions / Extra low noise unit (S)									
Length	mm	3.620	3.620	4.210	4.210	4.180	4.180	4.650	4.650
Width	mm	1.350	1.350	1.350	1.350	1.350	1.350	1.520	1.520
Height	mm	1.750	1.750	1.750	1.750	1.750	1.750	1.770	1.770
Weight / Standard unit									
Shipping	kg	2.509	2.538	2.701	2.807	3.185	3.252	5.124	5.154
Operating	kg	2.690	2.725	2.918	3.040	3.523	3.597	5.579	5.615
Weight / Extra low noise unit (S)									
Shipping	kg	2.703	2.732	2.895	3.001	3.379	3.46	5.511	5.541
Operating	kg	2.884	2.919	3.112	3.234	3.717	3.791	5.966	6.002

¹ Cooling mode conditions: evaporator EWT/LWT 12°C/7°C, condenser EWT/LWT 30°C/35°C.

² GROSS value (without hydraulic contribute).

³ NET value. According to standard EN 14511.

⁴ Sound power levels refers to standard ISO 3744 and Eurovent 8/1 for units certified. Units at fully loaded conditions.

⁵ Sound pressure levels refers to unit in free field on reflective surface at 1m. Values derived from sound power levels (standard ISO 3744 with parallelepiped shape).

Model		990	1070	1130	1220	1280	1400	1550
Cooling Capacity ^{1,2}	kW	1.001,7	1.075,0	1.137,1	1.227,0	1.288,5	1.434,3	1.574,5
Total Input Power ^{1,2}	kW	190,3	203,4	214,7	232,7	245,1	271,7	296,3
Total Heat Rejection ^{1,2}	kW	1.191,9	1.278,4	1.351,7	1.459,7	1.533,6	1.706,1	1.870,7
EER ²		5,27	5,28	5,30	5,27	5,26	5,28	5,31
ESEER ²		6,21	6,32	6,46	6,35	6,29	6,30	6,26
Cooling Capacity ^{1,3}	kW	998,6	1071,4	1.132,9	1.224,1	1.285,2	1.428,5	1.567,0
Total Input Power ^{1,3}	kW	197,6	211,7	223,8	241,0	253,9	282,4	309,9
EER ³		5,05	5,06	5,06	5,08	5,06	5,06	5,06
Energy Efficiency Class		A	A	A	A	A	A	A
EER 75%		5,17	5,60	5,62	5,60	5,55	5,50	5,37
EER 50%		6,11	6,23	6,26	6,28	6,12	6,26	6,06
EER 25%		6,63	6,63	6,94	6,73	6,77	6,63	6,77
ESEER ³		5,89	6,08	6,17	6,12	6,05	6,06	5,97
Number of Refrigerant Circuits		2	2	2	2	2	2	2
Part Load Steps	%	25-50-62-75-87-100						
Power Supply		400V/3/50Hz						
Start-up Type		SD	SD	SD	SD	SD	SD	SD
Refrigerant								
Type		R134a						
Compressor								
Number / Type		2 / Screw						
Internal heat exchanger (Evaporator)								
Number / Type		2 / Shell & tube (Pure counterflow)						
Water connections type		Victaulic						
Water connections size	inch	8	8	8	8	8	10	10
Water flow rate	m ³ /h	172,3	184,9	195,6	211,0	221,6	246,7	270,8
Water pressure drop	kPa	43	48	53	32	36	62	75
Water content	l	472,0	458,0	458,0	431,0	431,0	523,0	523,0
External heat exchanger (Condenser)								
Number / Type		2 / Shell & tube						
Water connections type		Victaulic						
Water connections size	inch	4	4 / 5	5	5	5	5	5
Water flow rate (total)	m ³ /h	205,0	219,9	232,5	251,1	263,8	293,4	321,8
Water pressure drop cond 1	kPa	52	53	54	56	55	42	51
Water pressure drop cond 2	kPa	52	54	54	56	55	42	51
Water content cond 1	l	44	44	46	46	53	69	69
Water content cond 2	l	44	46	46	53	53	69	69
Acoustic Data / Standard unit								
Sound Power Level ⁴	dB(A)	98	98	98	98	98	98	98
Sound Pressure Level ⁵	dB(A)	79	79	79	79	79	79	79
Acoustic Data / Extra low noise unit (S)								
Sound Power Level ⁴	dB(A)	89	89	89	89	89	89	89
Sound Pressure Level ⁵	dB(A)	70	70	70	70	70	70	70
Dimensions / Standard unit								
Length	mm	4.600	4.650	4.650	4.650	4.650	5.350	5.350
Width	mm	1.520	1.520	1.520	1.520	1.520	1.520	1.520
Height	mm	1.710	1.710	1.710	1.710	1.710	1.710	1.710
Dimensions / Extra low noise unit (S)								
Length	mm	4.650	4.650	4.650	4.650	4.650	5.350	5.350
Width	mm	1.520	1.520	1.520	1.520	1.520	1.520	1.520
Height	mm	1.770	1.770	1.770	1.770	1.770	1.770	1.770
Weight / Standard unit								
Shipping	kg	5.266	5.400	5.505	5.596	5.638	6.132	6.227
Operating	kg	5.826	5.948	6.055	6.126	6.175	6.793	6.888
Weight / Extra low noise unit (S)								
Shipping	kg	5.653	5.787	5.892	5.983	6.025	6.519	6.614
Operating	kg	6.213	6.335	6.442	6.513	6.562	7.180	7.275

¹ Cooling mode conditions: evaporator EWT/LWT 12°C/7°C, condenser EWT/LWT 30°C/35°C.

² GROSS value (without hydraulic contribute).

³ NET value. According to standard EN 14511.

⁴ Sound power levels refers to standard ISO 3744 and Eurovent 8/1 for units certified. Units at fully loaded conditions.

⁵ Sound pressure levels refers to unit in free field on reflective surface at 1m. Values derived from sound power levels (standard ISO 3744 with parallelepiped shape).

Technical Data - SyScrew Water EVO HP - _ / S Version

Model		440	490	570	630	700	770	860	920
Cooling Capacity ^{1,3}	kW	385,0	435,4	500,5	556,2	621,3	679,6	758,9	817,0
Total Input Power ^{1,3}	kW	99,6	111,1	129,5	145,5	167,0	178,0	195,9	209,6
Heating Capacity ^{1,3}	kW	484,6	546,5	630,0	701,7	788,3	857,6	954,8	1.026,6
COP ^{1,3}		4,87	4,92	4,86	4,82	4,72	4,82	4,87	4,90
Cooling Capacity ^{1,4}	kW	383,4	433,6	498,1	554,5	619,1	676,8	755,9	813,8
Total Input Power ^{1,4}	kW	104,3	115,6	136,4	153,4	172,8	185,2	204,3	219,4
Heating Capacity ^{1,4}	kW	487,7	549,1	634,6	707,9	791,9	862,1	960,2	1.033,2
COP ^{1,4}		4,68	4,75	4,65	4,61	4,58	4,65	4,70	4,71
Cooling Capacity ^{2,3}	kW	340,2	384,8	442,2	492,1	549,0	600,2	670,5	722,0
Total Input Power ^{2,3}	kW	114,0	127,2	147,7	166,6	191,8	204,4	224,9	240,3
Heating Capacity ^{2,3}	kW	454,2	512,0	589,9	658,7	740,8	804,6	895,4	962,3
COP ^{2,3}		3,98	4,03	3,99	3,95	3,86	3,94	3,98	4,00
Energy Efficiency Class		A	A	A	A	A	A	A	A
Cooling Capacity ^{2,4}	kW	339,5	383,8	441,3	491,4	548,0	599,1	669,3	720,7
Total Input Power ^{2,4}	kW	117,1	130,3	152,2	172,0	195,5	208,9	230,2	246,6
Heating Capacity ^{2,4}	kW	456,6	514,1	593,5	663,4	743,5	808,0	899,5	967,3
COP ^{2,4}		3,90	3,95	3,90	3,86	3,80	3,87	3,91	3,92
Number of Refrigerant Circuits		1	1	1	1	1	1	2	2
Part Load Steps	%	50-75-100						25-50-62-75-87-100	
Power Supply		400V/3/50Hz							
Start-up Type		SD	SD	SD	SD	SD	SD	SD	SD
Refrigerant									
Type		R134a							
Compressor									
Number / Type		1 / Screw						2 / Screw	
Internal heat exchanger (Evaporator)									
Number / Type		1 / Shell & tube (Pure counterflow)							
Water connections type		Victaulic							
Water connections size	inch	6	6	6	6	8	8	8	8
Water flow rate ¹	m ³ /h	110,4	124,8	143,5	159,4	178,1	194,8	217,6	234,2
Water pressure drop ¹	kPa	89	65	110	136	64	77	86	100
Water flow rate ²	m ³ /h	97,5	110,3	126,8	141,1	157,4	172,1	192,2	207,0
Water pressure drop ²	kPa	69	50	86	107	50	60	67	78
Water content	l	143,0	143,0	171,0	171,0	276,0	276,0	379,0	379,0
External heat exchanger (Condenser)									
Number / Type		1 / Shell & tube						2 / Shell & tube	
Water connections type		Victaulic							
Water connections size	inch	4	4	5	5	5	5	4	4
Water flow rate (total) ¹	m ³ /h	83,4	94,0	108,4	120,7	135,6	147,5	164,2	176,6
Water pressure drop cond 1 ¹	kPa	44	44	47	29	37	43	43	44
Water pressure drop cond 2 ¹	kPa	-	-	-	-	-	-	43	43
Water flow rate (total) ²	m ³ /h	48,8	55,0	63,4	70,8	79,6	86,5	96,3	103,4
Water pressure drop cond 1 ²	kPa	15	15	16	10	13	15	15	15
Water pressure drop cond 2 ²	kPa	-	-	-	-	-	-	15	15
Water content cond 1	l	38	44	46	62	62	69	38	38
Water content cond 2	l	-	-	-	-	-	-	38	44
Acoustic Data / Standard unit									
Sound Power Level ⁴	dB(A)	95	95	95	95	95	95	98	98
Sound Pressure Level ⁵	dB(A)	76	76	76	76	76	76	79	79
Acoustic Data / Extra low noise unit (S)									
Sound Power Level ⁴	dB(A)	85	85	85	85	85	85	89	89
Sound Pressure Level ⁵	dB(A)	66	66	66	66	66	66	70	70
Dimensions / Standard unit									
Length	mm	3.620	3.620	4.210	4.210	4.180	4.180	4.400	4.400
Width	mm	1.350	1.350	1.350	1.350	1.350	1.350	1.520	1.520
Height	mm	1.650	1.650	1.650	1.650	1.650	1.650	1.710	1.710
Dimensions / Extra low noise unit (S)									
Length	mm	3.620	3.620	4.210	4.210	4.180	4.180	4.650	4.650
Width	mm	1.350	1.350	1.350	1.350	1.350	1.350	1.520	1.520
Height	mm	1.750	1.750	1.750	1.750	1.750	1.750	1.770	1.770
Weight / Standard unit									
Shipping	kg	2.509	2.538	2.701	2.807	3.185	3.252	5.124	5.154
Operating	kg	2.690	2.725	2.918	3.040	3.523	3.597	5.579	5.615
Weight / Extra low noise unit (S)									
Shipping	kg	2.703	2.732	2.895	3.001	3.379	3.446	5.511	5.541
Operating	kg	2.884	2.919	3.112	3.234	3.717	3.791	5.966	6.002

¹ Cooling mode conditions: evaporator EWT/LWT 12°C/7°C, condenser EWT/LWT 30°C/35°C.

² GROSS value (without hydraulic contribute).

³ NET value. According to standard EN 14511.

⁴ Sound power levels refers to standard ISO 3744 and Eurovent 8/1 for units certified. Units at fully loaded conditions.

⁵ Sound pressure levels refers to unit in free field on reflective surface at 1m. Values derived from sound power levels (standard ISO 3744 with parallelepiped shape).

Model		990	1070	1130	1220	1280	1400	1550
Cooling Capacity ^{1,3}	kW	878,0	938,5	989,4	1.074,1	1.126,7	1.245,5	1.346,6
Total Input Power ^{1,3}	kW	224,7	243,3	259,0	279,8	293,4	335,4	353,1
Heating Capacity ^{1,3}	kW	1.102,7	1.181,8	1.248,4	1.353,9	1.420,1	1.580,9	1.699,7
COP ^{1,3}		4,91	4,86	4,82	4,84	4,84	4,71	4,81
Cooling Capacity ^{1,4}	kW	874,6	934,6	985,3	1.069,6	1.122,1	1.241,5	1.341,5
Total Input Power ^{1,4}	kW	234,6	254,7	271,7	290,3	304,8	351,6	373,1
Heating Capacity ^{1,4}	kW	1.109,2	1.189,3	1.257,0	1.359,9	1.426,9	1.593,1	1.714,6
COP ^{1,4}		4,73	4,67	4,63	4,68	4,68	4,53	4,60
Cooling Capacity ^{2,3}	kW	775,7	829,2	874,2	948,3	995,0	1.101,6	1.191,0
Total Input Power ^{2,3}	kW	257,8	279,0	297,0	321,4	336,8	384,4	404,3
Heating Capacity ^{2,3}	kW	1.033,5	1.108,2	1.171,2	1.269,7	1.331,8	1.486,0	1.595,3
COP ^{2,3}		4,01	3,97	3,94	3,95	3,95	3,87	3,95
Energy Efficiency Class		A	A	A	A	A	A	A
Cooling Capacity ^{2,4}	kW	774,4	827,8	872,7	946,6	993,3	1.100,0	1.189,1
Total Input Power ^{2,4}	kW	264,0	286,2	305,1	327,7	343,8	395,2	417,5
Heating Capacity ^{2,4}	kW	1.038,4	1.114,0	1.177,8	1.274,3	1.337,1	1.495,2	1.606,6
COP ^{2,4}		3,93	3,89	3,86	3,89	3,89	3,78	3,85
Number of Refrigerant Circuits		2	2	2	2	2	2	2
Part Load Steps	%	25-50-62-75-87-100						
Power Supply		400V/3/50Hz						
Start-up Type		SD	SD	SD	SD	SD	SD	SD
Refrigerant								
Type		R134a						
Compressor								
Number / Type		2 / Screw						
Internal heat exchanger (Evaporator)								
Number / Type		1 / Shell & tube (Pure counterflow)						
Water connections type		Victaulic						
Water connections size	inch	8	8	8	8	8	10	10
Water flow rate ¹	m ³ /h	251,7	269,0	283,6	307,9	323,0	357,0	386,0
Water pressure drop ¹	kPa	91	101	112	69	76	130	152
Water flow rate ²	m ³ /h	222,4	237,7	250,6	271,8	285,2	315,8	341,4
Water pressure drop ²	kPa	71	79	87	54	59	102	119
Water content	l	472,0	458,0	458,0	431,0	431,0	523,0	523,0
External heat exchanger (Condenser)								
Number / Type		2 / Shell & tube						
Water connections type		Victaulic						
Water connections size	inch	4	4 / 5	5	5	5	5	5
Water flow rate (total) ¹	m ³ /h	189,7	203,3	214,7	232,9	244,3	271,9	292,3
Water pressure drop cond 1 ¹	kPa	44	45	46	48	47	36	42
Water pressure drop cond 2 ¹	kPa	44	46	46	48	47	36	42
Water flow rate (total) ²	m ³ /h	111,1	119,1	125,9	136,5	143,2	159,7	171,5
Water pressure drop cond 1 ²	kPa	15	15	16	16	16	12	14
Water pressure drop cond 2 ²	kPa	15	16	16	16	16	12	14
Water content cond 1	l	44	44	46	46	53	69	69
Water content cond 2	l	44	46	46	53	53	69	69
Acoustic Data / Standard unit								
Sound Power Level ⁴	dB(A)	98	98	98	98	98	98	98
Sound Pressure Level ⁵	dB(A)	79	79	79	79	79	79	79
Acoustic Data / Extra low noise unit (S)								
Sound Power Level ⁴	dB(A)	89	89	89	89	89	89	89
Sound Pressure Level ⁵	dB(A)	70	70	70	70	70	70	70
Dimensions / Standard unit								
Length	mm	4.600	4.650	4.650	4.650	4.650	5.350	5.350
Width	mm	1.520	1.520	1.520	1.520	1.520	1.520	1.520
Height	mm	1.710	1.710	1.710	1.710	1.710	1.710	1.710
Dimensions / Extra low noise unit (S)								
Length	mm	4.650	4.650	4.650	4.650	4.650	5.350	5.350
Width	mm	1.520	1.520	1.520	1.520	1.520	1.520	1.520
Height	mm	1.770	1.770	1.770	1.770	1.770	1.770	1.770
Weight / Standard unit								
Shipping	kg	5.266	5.400	5.505	5.596	5.638	6.132	6.227
Operating	kg	5.826	5.948	6.055	6.126	6.175	6.793	6.888
Weight / Extra low noise unit (S)								
Shipping	kg	5.653	5.787	5.892	5.983	6.025	6.519	6.614
Operating	kg	6.213	6.335	6.442	6.513	6.562	7.180	7.275

¹ Cooling mode conditions: evaporator EWT/LWT 12°C/7°C, condenser EWT/LWT 30°C/35°C.

² GROSS value (without hydraulic contribute).

³ NET value. According to standard EN 14511.

⁴ Sound power levels refers to standard ISO 3744 and Eurovent 8/1 for units certified. Units at fully loaded conditions.

⁵ Sound pressure levels refers to unit in free field on reflective surface at 1m. Values derived from sound power levels (standard ISO 3744 with parallelepiped shape).

Technical Data - SyScrew Water EVO RC - _ / S Version

Model		440	490	570	630	700	770	860	920
Cooling Capacity ^{1,2}	kW	386,3	435,6	502,8	561,1	621,8	680,6	760,7	819,9
Total Input Power ^{1,2}	kW	101,0	113,2	131,4	147,2	170,3	181,3	199,3	213,0
Total Heat Rejection ^{1,2}	kW	487,3	548,8	634,2	708,3	792,1	861,9	960,0	1.032,9
Number of Refrigerant Circuits		1	1	1	1	1	1	2	2
Part Load Steps	%	50-75-100						25-50-62-75-87-100	
Power Supply		400V/3/50Hz							
Start-up Type		SD	SD	SD	SD	SD	SD	SD	SD
Refrigerant									
Type		R134a							
Compressor									
Number		1	1	1	1	1	1	2	2
Type		Screw							
Internal heat exchanger (Evaporator)									
Number		1	1	1	1	1	1	1	1
Type		Shell & tube (Pure counterflow)							
Water connections type		Victaulic							
Water connections size	inch	6	6	6	6	8	8	8	8
Water flow rate	m ³ /h	66,4	74,9	86,5	96,5	106,9	117,1	130,8	141,0
Water pressure drop	kPa	32	23	40	50	23	28	31	36
Water content	l	143,0	143,0	171,0	171,0	276,0	276,0	379,0	379,0
Remote condenser refrigerant connections									
Type		To be brazed							
Inlet Diameter circuit 1	inch	1.5/8"	1.5/8"	2.1/8"	2.1/8"	2.1/8"	2.1/8"	1.5/8"	1.5/8"
Outlet Diameter circuit 1	inch	3.1/8"	3.1/8"	3.5/8"	3.5/8"	4.1/8"	4.1/8"	3.1/8"	3.1/8"
Inlet Diameter circuit 2	inch	-	-	-	-	-	-	1.5/8"	1.5/8"
Outlet Diameter circuit 2	inch	-	-	-	-	-	-	3.1/8"	3.1/8"
Acoustic Data / Standard unit									
Sound Power Level ⁴	dB(A)	95	95	95	95	95	95	98	98
Sound Pressure Level ⁵	dB(A)	76	76	76	76	76	76	79	79
Acoustic Data / Extra low noise unit (S)									
Sound Power Level ⁴	dB(A)	85	85	85	85	85	85	89	89
Sound Pressure Level ⁵	dB(A)	66	66	66	66	66	66	70	70
Dimensions / Standard unit									
Length	mm	3.620	3.620	4.210	4.210	4.180	4.180	4.400	4.400
Width	mm	1.350	1.350	1.350	1.350	1.350	1.350	1.520	1.520
Height	mm	1.650	1.650	1.650	1.650	1.650	1.650	1.710	1.710
Dimensions / Extra low noise unit (S)									
Length	mm	3.620	3.620	4.210	4.210	4.180	4.180	4.650	4.650
Width	mm	1.350	1.350	1.350	1.350	1.350	1.350	1.520	1.520
Height	mm	1.750	1.750	1.750	1.750	1.750	1.750	1.770	1.770
Weight / Standard unit									
Shipping	kg	2.159	2.169	2.285	2.305	2.676	2.716	4.425	4.435
Operating	kg	2.302	2.312	2.456	2.476	2.952	2.992	4.804	4.814
Weight / Extra low noise unit (S)									
Shipping	kg	2.353	2.363	2.479	2.499	2.870	2.910	4.812	4.822
Operating	kg	2.496	2.506	2.650	2.670	3.146	3.186	5.191	5.201

¹ Conditions: evaporator EWT/LWT 12°C/7°C, condensing Temperature 50°C.

² GROSS value (without hydraulic contribute).

⁴ Sound power levels refers to standard ISO 3744 and Eurovent 8/1 for units certified. Units at fully loaded conditions.

⁵ Sound pressure levels refers to unit in free field on reflective surface at 1m. Values derived from sound power levels (standard ISO 3744 with parallelepiped shape).

Model		990	1070	1130	1220	1280	1400	1550
Cooling Capacity ^{1,2}	kW	880,4	941,7	993,6	1.074,3	1.127,7	1.298,1	1.357,4
Total Input Power ^{1,2}	kW	228,5	247,3	223,0	285,2	298,9	340,1	357,5
Total Heat Rejection ^{1,2}	kW	1.108,9	1.189,0	1.216,6	1.359,5	1.426,6	1.638,2	1.714,9
Number of Refrigerant Circuits		2	2	2	2	2	2	2
Part Load Steps	%	25-50-62-75-87-100						
Power Supply		400V/3/50Hz						
Start-up Type		SD	SD	SD	SD	SD	SD	SD
Refrigerant								
Type		R134a						
Compressor								
Number		2	2	2	2	2	2	2
Type		Screw						
Internal heat exchanger (Evaporator)								
Number		1	1	1	1	1	1	1
Type		Shell & tube (Pure counterflow)						
Water connections type		Victaulic						
Water connections size	inch	8	8	8	8	8	10	10
Water flow rate	m ³ /h	151,4	162,0	170,9	184,8	194,0	223,3	233,5
Water pressure drop	kPa	33	37	41	25	27	51	56
Water content	l	472,0	458,0	458,0	431,0	431,0	523,0	523,0
Remote condenser refrigerant connections								
Type		To be brazed						
Inlet Diameter circuit 1	inch	1.5/8"	1.5/8"	2.1/8"	2.1/8"	2.1/8"	2.1/8"	2.1/8"
Outlet Diameter circuit 1	inch	3.1/8"	3.1/8"	3.5/8"	3.5/8"	3.5/8"	4.1/8"	4.1/8"
Inlet Diameter circuit 2	inch	1.5/8"	2.1/8"	2.1/8"	2.1/8"	2.1/8"	2.1/8"	2.1/8"
Outlet Diameter circuit 2	inch	3.1/8"	3.5/8"	3.5/8"	3.5/8"	3.5/8"	4.1/8"	4.1/8"
Acoustic Data / Standard unit								
Sound Power Level ⁴	dB(A)	98	98	98	98	98	98	98
Sound Pressure Level ⁵	dB(A)	79	79	79	79	79	79	79
Acoustic Data / Extra low noise unit (S)								
Sound Power Level ⁴	dB(A)	89	89	89	89	89	89	89
Sound Pressure Level ⁵	dB(A)	70	70	70	70	70	70	70
Dimensions / Standard unit								
Length	mm	4.600	4.650	4.650	4.650	4.650	5.350	5.350
Width	mm	1.520	1.520	1.520	1.520	1.520	1.520	1.520
Height	mm	1.710	1.710	1.710	1.710	1.710	1.710	1.710
Dimensions / Extra low noise unit (S)								
Length	mm	4.650	4.650	4.650	4.650	4.650	5.350	5.350
Width	mm	1.520	1.520	1.520	1.520	1.520	1.520	1.520
Height	mm	1.770	1.770	1.770	1.770	1.770	1.770	1.770
Weight / Standard unit								
Shipping	kg	4.526	4.613	4.673	4.739	4.759	5.073	5.153
Operating	kg	4.998	5.071	5.131	5.170	5.190	5.596	5.676
Weight / Extra low noise unit (S)								
Shipping	kg	4.913	5.000	5.060	5.126	5.146	5.460	5.540
Operating	kg	5.385	5.458	5.518	5.557	5.577	5.983	6.063

¹ Conditions: evaporator EWT/LWT 12°C/7°C, condensing Temperature 50°C.

² GROSS value (without hydraulic contribute).

⁴ Sound power levels refers to standard ISO 3744 and Eurovent 8/1 for units certified. Units at fully loaded conditions.

⁵ Sound pressure levels refers to unit in free field on reflective surface at 1m. Values derived from sound power levels (standard ISO 3744 with parallelepiped shape).

Electrical data - SyScrew 440-1550 Water Evo CO

Compressors @ 400V/3/50Hz

Size	System	Frame	Com-pressor start mode	Nominal absorbed power	Nominal absorbed current	Maximum absorbed power	Max absorbed current FLA	Start-up current LRA	Nominal power factor	Corrected power factor*	Carter oil absorbed power (230Vac)
				kW	A	kW	A	A	-	-	W
440	1	1	S/D	84	141	132	233	318	0,86	> 0.90	300
490	1	1	S/D	94	157	147	266	436	0,87	> 0.90	300
570	1	1	S/D	107	175	167	306	465	0,89	> 0.90	300
630	1	1	S/D	120	203	186	345	586	0,85	> 0.90	300
700	1	1	S/D	136	227	220	378	650	0,86	> 0.90	300
770	1	1	S/D	150	255	240	411	805	0,86	> 0.90	300
860	1	2	S/D	83	139	132	233	318	0,86	> 0.90	300
	2		S/D	83	139	132	233	318	0,86	> 0.90	300
920	1	2	S/D	84	141	132	233	318	0,86	> 0.90	300
	2		S/D	94	157	147	266	436	0,87	> 0.90	300
990	1	2	S/D	95	158	147	266	436	0,86	> 0.90	300
	2		S/D	95	158	147	266	436	0,86	> 0.90	300
1070	1	2	S/D	95	158	147	266	436	0,87	> 0.90	300
	2		S/D	108	176	167	306	465	0,89	> 0.90	300
1130	1	2	S/D	107	175	167	306	465	0,89	> 0.90	300
	2		S/D	107	175	167	306	465	0,89	> 0.90	300
1220	1	2	S/D	109	177	167	306	465	0,89	> 0.90	300
	2		S/D	124	209	186	345	586	0,85	> 0.90	300
1280	1	2	S/D	123	207	186	345	586	0,85	> 0.90	300
	2		S/D	123	207	186	345	586	0,85	> 0.90	300
1400	1	2	S/D	136	227	220	378	650	0,86	> 0.90	300
	2		S/D	136	227	220	378	650	0,86	> 0.90	300
1550	1	2	S/D	148	250	240	411	805	0,86	> 0.90	300
	2		S/D	148	250	240	411	805	0,86	> 0.90	300

Units @ 400 V/3 Ph/50 Hz

- _ S Version		440	490	570	630	700	770	860	920	990	1070	1130	1220	1280	1400	1550	
Current input	Nominal	A	141	157	175	203	227	255	278	298	316	334	350	386	414	454	500
	Maximum	A	233	266	306	345	378	411	466	499	532	572	612	651	690	756	822
Power input	Nominal	kW	84	94	107	120	136	150	167	178	190	203	215	233	245	272	296
	Maximum	kW	132	147	167	186	220	240	264	279	294	314	334	353	372	440	480
Max Start-up current	A	318	436	465	586	650	805	551	669	702	731	771	892	931	1.028	1.216	
Unit fuses	A	250	315	315	400	400	500	630	630	630	630	630	800	800	800	1.000	
Phase wire section	mm ²	120	185	185	240	240	2x185	2x185	2x185	2x185	2x185	2x185	2x240	2x240	2x240	2x300	

* Power factor correction capacitor option installed.

Electrical data - SyScrew Water Evo HP-RC-BC

Compressors @ 400V/3/50Hz

Size	System	Frame	Com-pressor start mode	Nominal absorbed power*	Nominal absorbed current*	Maximum absorbed power	Max absorbed current FLA	Start-up current LRA	Nominal power factor*	Corrected power factor**	Carter oil absorbed power (230Vac)
				kW	A	kW	A	A	-	-	W
440	1	1	S/D	100	166	144	280	436	0,87	> 0.90	300
490	1	1	S/D	111	181	161	310	465	0,89	> 0.90	300
570	1	1	S/D	129	217	188	320	586	0,86	> 0.90	300
630	1	1	S/D	145	242	212	360	650	0,87	> 0.90	300
700	1	1	S/D	168	278	240	413	805	0,87	> 0.90	300
770	1	1	S/D	178	300	259	447	917	0,86	> 0.90	300
860	1	2	S/D	99	165	144	280	436	0,86	> 0.90	300
	2		S/D	99	165	144	280	436	0,86	> 0.90	300
920	1	2	S/D	99	165	144	280	436	0,87	> 0.90	300
	2		S/D	111	181	161	310	465	0,89	> 0.90	300
990	1	2	S/D	113	183	161	310	465	0,89	> 0.90	300
	2		S/D	113	183	161	310	465	0,89	> 0.90	300
1070	1	2	S/D	113	183	161	310	465	0,89	> 0.90	300
	2		S/D	131	220	188	320	586	0,86	> 0.90	300
1130	1	2	S/D	130	218	188	320	586	0,86	> 0.90	300
	2		S/D	130	218	188	320	586	0,86	> 0.90	300
1220	1	2	S/D	132	220	188	320	586	0,86	> 0.90	300
	2		S/D	149	246	212	360	650	0,88	> 0.90	300
1280	1	2	S/D	147	244	212	360	650	0,87	> 0.90	300
	2		S/D	147	244	212	360	650	0,87	> 0.90	300
1400	1	2	S/D	168	278	240	413	805	0,87	> 0.90	300
	2		S/D	168	278	240	413	805	0,87	> 0.90	300
1550	1	2	S/D	176	297	259	447	917	0,86	> 0.90	300
	2		S/D	176	297	259	447	917	0,86	> 0.90	300

Units @ 400 V/3 Ph/50 Hz

- _ S Version		440	490	570	630	700	770	860	920	990	1070	1130	1220	1280	1400	1550	
Current input	Nominal*	A	166	181	217	242	278	300	330	346	366	403	436	466	488	556	594
	Maximum	A	280	310	320	360	413	447	560	590	620	630	640	680	720	826	894
Power input	Nominal*	kW	100	111	129	145	168	178	197	210	225	244	259	280,9	294	335	352
	Maximum	kW	155	175	204	222	254	277	310	330	350	379	408	426	444	508	554
Max Start-up current	A	436	465	586	650	805	917	716	745	775	896	906	970	1.010	1.218	1.364	
Unit fuses	A	315	315	400	400	500	500	630	630	630	800	800	800	800	1.000	1.000	
Phase wire section	mm ²	185	185	240	240	2x185	2x185	2x185	2x185	2x185	2x240	2x240	2x240	2x240	2x300	2x300	

* Data valid for HP version.

** Power factor correction capacitor option installed.

Sound Data

Model	Frequency (Hz)								Sound Power dB(A)	Sound Pressure dB(A)*
	63	125	250	500	1000	2000	4000	8000		
Version										
440	54	63	82	90	94	85	72	67	95	76
490	54	63	82	90	94	85	72	67	95	76
570	54	63	82	90	94	85	72	67	95	76
630	54	63	82	90	94	85	72	67	95	76
700	54	63	82	90	94	85	72	67	95	76
770	54	63	82	90	94	85	72	67	95	76
860	75	92	91	98	92	87	71	60	98	79
920	75	92	91	98	92	87	71	60	98	79
990	75	92	91	98	92	87	71	60	98	79
1070	75	92	91	98	92	87	71	60	98	79
1130	75	92	91	98	92	87	71	60	98	79
1220	75	92	91	98	92	87	71	60	98	79
1280	75	92	91	98	92	87	71	60	98	79
1400	75	92	91	98	92	87	71	60	98	79
1550	75	92	91	98	92	87	71	60	98	79
S Version										
440	53	64	73	81	84	74	63	59	85	66
490	53	64	73	81	84	74	63	59	85	66
570	53	64	73	81	84	74	63	59	85	66
630	53	64	73	81	84	74	63	59	85	66
700	53	64	73	81	84	74	63	59	85	66
770	53	64	73	81	84	74	63	59	85	66
860	73	83	82	89	83	78	62	51	89	70
920	73	83	82	89	83	78	62	51	89	70
990	73	83	82	89	83	78	62	51	89	70
1070	73	83	82	89	83	78	62	51	89	70
1130	73	83	82	89	83	78	62	51	89	70
1220	73	83	82	89	83	78	62	51	89	70
1280	73	83	82	89	83	78	62	51	89	70
1400	73	83	82	89	83	78	62	51	89	70
1550	73	83	82	89	83	78	62	51	89	70

* Sound pressure level at 10 m. Values refers to ISO Standard 3744 with parallelepiped shape.

Cooling Capacities - SyScrew Water EVO CO - __ / S Version

Model	LWT °C	Condenser LWT (°C)															
		25			30			35			40			45			
		P _{COOL}	P _{ABS}	P _{REJ}	P _{COOL}	P _{ABS}	P _{REJ}	P _{COOL}	P _{ABS}	P _{REJ}	P _{COOL}	P _{ABS}	P _{REJ}	P _{COOL}	P _{ABS}	P _{REJ}	
		kW	kW	kW	kW	kW	kW	kW	kW	kW	kW	kW	kW	kW	kW	kW	
440	5	462,4	67,2	529,6	435,4	74,4	509,8	415,0	82,9	497,9	394,3	92,2	486,5	373,2	102,1	475,3	
	6	478,8	67,7	546,6	451,5	75,0	526,5	430,5	83,6	514,1	409,3	92,9	502,2				
	7	495,2	68,3	563,5	467,6	75,6	543,2	445,9	84,2	530,1	424,4	93,5	517,9				
	8	511,6	68,8	580,4	483,6	76,2	559,8	461,7	84,8	546,5	439,4	94,1	533,5				
	9	528,0	69,4	597,4	499,7	76,8	576,5	477,3	85,5	562,8	454,4	94,8	549,2				
	10	544,4	69,9	614,3	515,7	77,4	593,1	492,9	86,1	579,0	469,4	95,4	564,9				
	11	560,7	70,5	631,2	531,8	78,0	609,8	508,4	86,7	595,2	484,5	96,1	580,5				
	12	577,1	71,0	648,1	547,9	78,6	626,4	524,0	87,4	611,4	499,5	96,7	596,2				
	13	593,5	71,6	665,1	563,9	79,2	643,1	539,6	88,0	627,6	514,5	97,4	611,9				
	14	609,9	72,1	682,0	580,0	79,8	659,8	555,2	88,7	643,8	529,5	98,0	627,5				
	15	626,3	72,6	698,9	596,0	80,4	676,4	570,8	89,3	660,1	544,5	98,6	643,2				
	490	5	514,1	75,2	589,3	484,0	83,3	567,4	461,3	92,9	554,1	438,3	103,2	541,6	414,8	114,3	529,1
		6	532,3	75,9	608,1	501,9	84,0	585,9	478,6	93,6	572,1	455,0	104,0	559,0			
		7	550,5	76,5	626,9	519,7	84,6	604,4	495,7	94,3	590,0	471,7	104,7	576,4			
		8	568,7	77,1	645,8	537,6	85,3	622,9	513,2	95,0	608,2	488,4	105,4	593,8			
9		586,9	77,7	664,6	555,4	86,0	641,4	530,5	95,7	626,3	505,1	106,1	611,3				
10		605,1	78,3	683,4	573,3	86,7	660,0	547,9	96,4	644,3	521,8	106,8	628,7				
11		623,3	78,9	702,2	591,1	87,3	678,5	565,2	97,1	662,3	538,5	107,6	646,1				
12		641,5	79,5	721,1	609,0	88,0	697,0	582,5	97,8	680,4	555,2	108,3	663,5				
13		659,8	80,1	739,9	626,8	88,7	715,5	599,8	98,6	698,4	571,9	109,0	680,9				
14		678,0	80,7	758,7	644,7	89,3	734,0	617,2	99,3	716,4	588,6	109,7	698,4				
15		696,2	81,3	777,5	662,6	90,0	752,6	634,5	100,0	734,5	605,3	110,5	715,8				
570		5	593,9	85,7	679,6	559,3	94,9	654,2	532,9	105,8	638,7	506,4	117,6	624,1	479,2	130,3	609,5
		6	615,0	86,4	701,4	579,9	95,7	675,6	552,9	106,6	659,5	525,7	118,4	644,2			
		7	636,0	87,1	723,1	600,5	96,4	696,9	572,7	107,4	680,1	545,0	119,3	664,3			
		8	657,0	87,8	744,9	621,1	97,2	718,3	593,0	108,2	701,2	564,3	120,1	684,4			
	9	678,1	88,5	766,6	641,7	98,0	739,7	613,0	109,0	722,0	583,6	120,9	704,5				
	10	699,1	89,2	788,3	662,4	98,7	761,1	633,0	109,8	742,8	602,9	121,7	724,6				
	11	720,2	89,9	810,1	683,0	99,5	782,5	653,0	110,7	763,7	622,2	122,6	744,8				
	12	741,2	90,6	831,8	703,6	100,3	803,9	673,0	111,5	784,5	641,5	123,4	764,9				
	13	762,3	91,3	853,5	724,2	101,0	825,3	693,0	112,3	805,3	660,8	124,2	785,0				
	14	783,3	92,0	875,3	744,9	101,8	846,7	713,0	113,1	826,1	680,1	125,0	805,1				
	15	804,3	92,7	897,0	765,5	102,6	868,0	733,0	113,9	847,0	699,4	125,8	825,2				
	630	5	662,9	96,1	759,0	624,2	106,4	730,6	594,8	118,6	713,4	565,2	131,9	697,1	534,9	146,0	680,9
		6	686,4	96,9	783,2	647,2	107,3	754,4	617,1	119,5	736,6	586,8	132,8	719,5			
		7	709,8	97,7	807,5	670,2	108,1	778,3	639,2	120,4	759,6	608,3	133,7	742,0			
		8	733,3	98,4	831,8	693,2	109,0	802,2	661,8	121,3	783,1	629,8	134,6	764,5			
9		756,8	99,2	856,0	716,2	109,8	826,1	684,1	122,2	806,4	651,4	135,5	786,9				
10		780,3	100,0	880,3	739,3	110,7	849,9	706,5	123,1	829,6	672,9	136,5	809,4				
11		803,8	100,8	904,6	762,3	111,5	873,8	728,8	124,1	852,9	694,4	137,4	831,8				
12		827,3	101,6	928,8	785,3	112,4	897,7	751,1	125,0	876,1	716,0	138,3	854,3				
13		850,8	102,3	953,1	808,3	113,3	921,6	773,5	125,9	899,4	737,5	139,2	876,7				
14		874,2	103,1	977,4	831,3	114,1	945,4	795,8	126,8	922,6	759,0	140,1	899,2				
15		897,7	103,9	1001,6	854,4	115,0	969,3	818,1	127,7	945,8	780,6	141,1	921,6				
700		5	736,6	108,4	845,0	693,6	120,0	813,6	660,9	133,8	794,7	628,1	148,7	776,8	594,3	164,7	759,1
		6	762,7	109,3	871,9	719,1	121,0	840,1	685,7	134,8	820,5	652,0	149,8	801,8			
		7	788,8	110,2	898,9	744,7	121,9	866,7	710,2	135,8	846,0	675,9	150,8	826,7			
		8	814,8	111,0	925,9	770,3	122,9	893,2	735,4	136,8	872,2	699,8	151,8	851,7			
	9	840,9	111,9	952,9	795,9	123,9	919,7	760,2	137,9	898,1	723,8	152,9	876,7				
	10	867,0	112,8	979,8	821,4	124,8	946,3	785,0	138,9	923,9	747,7	153,9	901,6				
	11	893,1	113,7	1006,8	847,0	125,8	972,8	809,8	139,9	949,8	771,6	155,0	926,6				
	12	919,2	114,5	1033,8	872,6	126,8	999,4	834,6	141,0	975,6	795,6	156,0	951,6				
	13	945,3	115,4	1060,8	898,2	127,7	1025,9	859,5	142,0	1001,4	819,5	157,0	976,5				
	14	971,4	116,3	1087,7	923,8	128,7	1052,5	884,3	143,0	1027,3	843,4	158,1	1001,5				
	15	997,5	117,2	1114,7	949,3	129,7	1079,0	909,1	144,0	1053,1	867,3	159,1	1026,5				

Cooling Capacities - SyScrew Water EVO CO - _ / S Version (continue)

Model	LWT °C	Condenser LWT (°C)															
		25			30			35			40			45			
		P _{COOL}	P _{ABS}	P _{REJ}	P _{COOL}	P _{ABS}	P _{REJ}	P _{COOL}	P _{ABS}	P _{REJ}	P _{COOL}	P _{ABS}	P _{REJ}	P _{COOL}	P _{ABS}	P _{REJ}	
		kW	kW	kW	kW	kW	kW	kW	kW	kW	kW	kW	kW	kW	kW	kW	
770	5	818,6	119,8	938,3	770,8	132,6	903,4	734,5	147,8	882,3	698,0	164,3	862,3	660,5	182,0	842,5	
	6	847,6	120,7	968,3	799,2	133,6	932,9	762,1	148,9	911,0	724,6	165,5	890,0				
	7	876,6	121,7	998,3	827,6	134,7	962,3	789,3	150,0	939,3	751,2	166,6	917,8				
	8	905,6	122,7	1028,2	856,1	135,8	991,8	817,2	151,2	968,4	777,8	167,7	945,5				
	9	934,6	123,6	1058,2	884,5	136,8	1021,3	844,8	152,3	997,1	804,4	168,9	973,3				
	10	963,6	124,6	1088,2	912,9	137,9	1050,8	872,4	153,4	1025,8	830,9	170,0	1001,0				
	11	992,6	125,6	1118,1	941,3	139,0	1080,3	900,0	154,6	1054,6	857,5	171,2	1028,7				
	12	1021,6	126,5	1148,1	969,8	140,1	1109,8	927,6	155,7	1083,3	884,1	172,3	1056,5				
	13	1050,6	127,5	1178,1	998,2	141,1	1139,3	955,2	156,8	1112,0	910,7	173,5	1084,2				
	14	1079,6	128,5	1208,1	1026,6	142,2	1168,8	982,7	158,0	1140,7	937,3	174,6	1111,9				
	15	1108,6	129,5	1238,0	1055,0	143,3	1198,3	1010,3	159,1	1169,4	963,9	175,8	1139,7				
	860	5	910,8	133,0	1043,8	857,6	147,3	1004,9	817,2	164,1	981,4	776,6	182,5	959,1	734,9	202,1	937,0
		6	943,0	134,1	1077,1	889,2	148,4	1037,7	847,9	165,4	1013,3	806,2	183,8	990,0			
		7	975,3	135,2	1110,5	920,8	149,6	1070,5	878,2	166,7	1044,8	835,8	185,0	1020,8			
		8	1007,6	136,2	1143,8	952,5	150,8	1103,3	909,3	167,9	1077,2	865,4	186,3	1051,7			
9		1039,8	137,3	1177,1	984,1	152,0	1136,1	940,0	169,2	1109,1	894,9	187,6	1082,5				
10		1072,1	138,4	1210,5	1015,7	153,2	1168,9	970,7	170,4	1141,1	924,5	188,9	1113,4				
11		1104,4	139,5	1243,8	1047,3	154,4	1201,7	1001,4	171,7	1173,0	954,1	190,1	1144,3				
12		1136,6	140,6	1277,2	1079,0	155,6	1234,5	1032,0	173,0	1205,0	983,7	191,4	1175,1				
13		1168,9	141,6	1310,5	1110,6	156,7	1267,3	1062,7	174,2	1236,9	1013,3	192,7	1206,0				
14		1201,2	142,7	1343,9	1142,2	157,9	1300,2	1093,4	175,5	1268,9	1042,9	194,0	1236,9				
15		1233,4	143,8	1377,2	1173,8	159,1	1333,0	1124,1	176,7	1300,8	1072,5	195,2	1267,7				
920		5	974,0	142,1	1116,1	917,2	157,3	1074,5	874,0	175,3	1049,3	830,6	194,9	1025,5	786,0	215,9	1001,8
		6	1008,6	143,2	1151,8	951,0	158,5	1109,6	906,8	176,6	1083,5	862,2	196,3	1058,5			
		7	1043,1	144,4	1187,4	984,8	159,8	1144,6	939,2	178,0	1117,2	893,9	197,6	1091,5			
		8	1077,6	145,5	1223,1	1018,7	161,1	1179,7	972,5	179,3	1151,8	925,5	199,0	1124,5			
	9	1112,1	146,7	1258,7	1052,5	162,3	1214,8	1005,3	180,7	1186,0	957,1	200,4	1157,5				
	10	1146,6	147,8	1294,4	1086,3	163,6	1249,9	1038,1	182,0	1220,1	988,8	201,7	1190,5				
	11	1181,1	149,0	1330,1	1120,1	164,9	1285,0	1070,9	183,4	1254,3	1020,4	203,1	1223,5				
	12	1215,6	150,1	1365,7	1153,9	166,1	1320,1	1103,8	184,7	1288,5	1052,1	204,4	1256,5				
	13	1250,1	151,3	1401,4	1187,8	167,4	1355,2	1136,6	186,1	1322,6	1083,7	205,8	1289,5				
	14	1284,6	152,4	1437,1	1221,6	168,7	1390,3	1169,4	187,4	1356,8	1115,4	207,2	1322,5				
	15	1319,2	153,6	1472,7	1255,4	169,9	1425,4	1202,2	188,8	1391,0	1147,0	208,5	1355,5				
	990	5	1038,8	151,8	1190,7	978,2	168,1	1146,3	932,1	187,4	1119,5	885,8	208,3	1094,2	838,2	230,7	1069,0
		6	1075,6	153,1	1228,7	1014,3	169,5	1183,7	967,1	188,8	1156,0	919,6	209,8	1129,4			
		7	1112,4	154,3	1266,7	1050,3	170,8	1221,2	1001,7	190,3	1191,9	953,3	211,3	1164,6			
		8	1149,2	155,5	1304,8	1086,4	172,2	1258,6	1037,2	191,7	1228,8	987,1	212,7	1199,8			
9		1186,0	156,8	1342,8	1122,5	173,5	1296,0	1072,2	193,1	1265,3	1020,8	214,2	1235,0				
10		1222,9	158,0	1380,9	1158,6	174,9	1333,4	1107,2	194,6	1301,7	1054,5	215,6	1270,2				
11		1259,7	159,2	1418,9	1194,6	176,2	1370,9	1142,2	196,0	1338,2	1088,3	217,1	1305,4				
12		1296,5	160,5	1456,9	1230,7	177,6	1408,3	1177,2	197,4	1374,6	1122,0	218,5	1340,6				
13		1333,3	161,7	1495,0	1266,8	178,9	1445,7	1212,2	198,9	1411,1	1155,8	220,0	1375,8				
14		1370,1	162,9	1533,0	1302,8	180,3	1483,1	1247,2	200,3	1447,5	1189,5	221,4	1411,0				
15		1406,9	164,1	1571,0	1338,9	181,7	1520,6	1282,2	201,8	1483,9	1223,3	222,9	1446,2				
1070		5	1114,9	162,4	1277,2	1049,8	179,7	1229,5	1000,4	200,3	1200,7	950,6	222,8	1173,4	899,6	246,7	1146,3
		6	1154,4	163,7	1318,0	1088,5	181,2	1269,7	1037,9	201,9	1239,8	986,9	224,3	1211,2			
		7	1193,9	165,0	1358,8	1127,2	182,6	1309,8	1075,0	203,4	1278,4	1023,1	225,9	1249,0			
		8	1233,4	166,3	1399,7	1165,9	184,1	1350,0	1113,1	205,0	1318,0	1059,3	227,4	1286,7			
	9	1272,9	167,6	1440,5	1204,6	185,5	1390,2	1150,6	206,5	1357,1	1095,5	229,0	1324,5				
	10	1312,4	168,9	1481,3	1243,3	187,0	1430,3	1188,2	208,0	1396,2	1131,7	230,5	1362,3				
	11	1351,9	170,2	1522,1	1282,1	188,4	1470,5	1225,8	209,6	1435,3	1167,9	232,1	1400,0				
	12	1391,4	171,6	1562,9	1320,8	189,9	1510,7	1263,3	211,1	1474,4	1204,2	233,6	1437,8				
	13	1430,9	172,9	1603,7	1359,5	191,3	1550,8	1300,9	212,6	1513,5	1240,4	235,2	1475,6				
	14	1470,4	174,2	1644,6	1398,2	192,8	1591,0	1338,5	214,2	1552,6	1276,6	236,8	1513,4				
	15	1509,9	175,5	1685,4	1436,9	194,2	1631,1	1376,0	215,7	1591,7	1312,8	238,3	1551,1				

Model	LWT °C	Condenser LWT (°C)															
		25			30			35			40			45			
		P _{COOL}	P _{ABS}	P _{REJ}	P _{COOL}	P _{ABS}	P _{REJ}	P _{COOL}	P _{ABS}	P _{REJ}	P _{COOL}	P _{ABS}	P _{REJ}	P _{COOL}	P _{ABS}	P _{REJ}	
		kW	kW	kW	kW	kW	kW	kW	kW	kW	kW	kW	kW	kW	kW	kW	
1130	5	1179,2	171,3	1350,6	1110,4	189,7	1300,1	1058,1	211,4	1269,5	1005,5	235,1	1240,6	951,5	260,4	1211,9	
	6	1221,0	172,7	1393,7	1151,3	191,2	1342,6	1097,9	213,0	1310,9	1043,8	236,7	1280,6				
	7	1262,8	174,1	1436,9	1192,3	192,7	1385,0	1137,1	214,7	1351,7	1082,1	238,4	1320,5				
	8	1304,6	175,5	1480,1	1233,2	194,3	1427,5	1177,3	216,3	1393,6	1120,5	240,0	1360,5				
	9	1346,3	176,9	1523,2	1274,2	195,8	1470,0	1217,1	217,9	1435,0	1158,8	241,7	1400,4				
	10	1388,1	178,3	1566,4	1315,1	197,3	1512,5	1256,8	219,5	1476,3	1197,1	243,3	1440,4				
	11	1429,9	179,7	1609,6	1356,1	198,9	1554,9	1296,5	221,2	1517,7	1235,4	244,9	1480,3				
	12	1471,7	181,1	1652,7	1397,0	200,4	1597,4	1336,3	222,8	1559,0	1273,7	246,6	1520,3				
	13	1513,5	182,4	1695,9	1438,0	201,9	1639,9	1376,0	224,4	1600,4	1312,0	248,2	1560,2				
	14	1555,2	183,8	1739,1	1478,9	203,4	1682,4	1415,7	226,0	1641,8	1350,3	249,9	1600,2				
	15	1597,0	185,2	1782,2	1519,9	205,0	1724,8	1455,5	227,7	1683,1	1388,6	251,5	1640,1				
	1220	5	1272,5	185,7	1458,2	1198,2	205,6	1403,8	1141,8	229,2	1371,0	1085,0	254,9	1339,9	1026,8	282,2	1309,0
		6	1317,5	187,2	1504,8	1242,4	207,3	1449,7	1184,7	231,0	1415,6	1126,4	256,6	1383,0			
		7	1362,6	188,8	1551,4	1286,6	209,0	1495,5	1227,0	232,7	1459,7	1167,7	258,4	1426,1			
		8	1407,7	190,3	1598,0	1330,7	210,6	1541,3	1270,4	234,5	1504,9	1209,0	260,2	1469,2			
9		1452,8	191,8	1644,6	1374,9	212,3	1587,2	1313,3	236,2	1549,5	1250,4	262,0	1512,3				
10		1497,9	193,3	1691,1	1419,1	213,9	1633,0	1356,2	238,0	1594,2	1291,7	263,8	1555,5				
11		1543,0	194,8	1737,7	1463,3	215,6	1678,9	1399,0	239,8	1638,8	1333,0	265,5	1598,6				
12		1588,0	196,3	1784,3	1507,5	217,2	1724,7	1441,9	241,5	1683,4	1374,4	267,3	1641,7				
13		1633,1	197,8	1830,9	1551,7	218,9	1770,6	1484,8	243,3	1728,1	1415,7	269,1	1684,8				
14		1678,2	199,3	1877,5	1595,8	220,5	1816,4	1527,7	245,0	1772,7	1457,1	270,9	1727,9				
15		1723,3	200,8	1924,1	1640,0	222,2	1862,2	1570,5	246,8	1817,3	1498,4	272,7	1771,0				
1280		5	1336,3	195,6	1531,9	1258,3	216,6	1474,8	1199,1	241,4	1440,4	1139,5	268,4	1407,8	1078,3	297,2	1375,5
		6	1383,6	197,2	1580,8	1304,7	218,3	1523,0	1244,1	243,2	1487,3	1182,9	270,2	1453,1			
		7	1431,0	198,8	1629,7	1351,1	220,0	1571,1	1288,5	245,1	1533,6	1226,3	272,1	1498,4			
		8	1478,3	200,4	1678,7	1397,5	221,8	1619,3	1334,1	246,9	1581,1	1269,7	274,0	1543,7			
	9	1525,7	201,9	1727,6	1443,9	223,5	1667,4	1379,2	248,8	1627,9	1313,1	275,9	1589,0				
	10	1573,0	203,5	1776,5	1490,3	225,3	1715,6	1424,2	250,6	1674,8	1356,5	277,7	1634,3				
	11	1620,4	205,1	1825,5	1536,7	227,0	1763,7	1469,2	252,5	1721,7	1399,9	279,6	1679,5				
	12	1667,7	206,7	1874,4	1583,1	228,8	1811,9	1514,2	254,3	1768,6	1443,3	281,5	1724,8				
	13	1715,0	208,3	1923,3	1629,5	230,5	1860,0	1559,3	256,2	1815,5	1486,7	283,4	1770,1				
	14	1762,4	209,9	1972,3	1675,9	232,2	1908,1	1604,3	258,0	1862,3	1530,1	285,2	1815,4				
	15	1809,7	211,4	2021,2	1722,3	234,0	1956,3	1649,3	259,9	1909,2	1573,6	287,1	1860,7				
	1400	5	1487,5	216,9	1704,4	1400,7	240,1	1640,8	1334,7	267,6	1602,4	1268,4	297,6	1566,0	1200,3	329,6	1529,9
		6	1540,2	218,6	1758,8	1452,3	242,0	1694,4	1384,9	269,7	1654,5	1316,7	299,7	1616,4			
		7	1592,9	220,4	1813,3	1504,0	244,0	1748,0	1434,3	271,7	1706,1	1365,0	301,7	1666,8			
		8	1645,6	222,2	1867,8	1555,6	245,9	1801,5	1485,1	273,8	1758,9	1413,4	303,8	1717,2			
9		1698,3	223,9	1922,2	1607,3	247,9	1855,1	1535,2	275,8	1811,1	1461,7	305,9	1767,6				
10		1751,0	225,7	1976,7	1658,9	249,8	1908,7	1585,3	277,9	1863,3	1510,0	308,0	1818,0				
11		1803,7	227,4	2031,1	1710,6	251,7	1962,3	1635,5	280,0	1915,4	1558,3	310,1	1868,4				
12		1856,4	229,2	2085,6	1762,2	253,7	2015,9	1685,6	282,0	1967,6	1606,7	312,1	1918,8				
13		1909,1	230,9	2140,1	1813,9	255,6	2069,5	1735,7	284,1	2019,8	1655,0	314,2	1969,2				
14		1961,8	232,7	2194,5	1865,5	257,5	2123,1	1785,8	286,1	2072,0	1703,3	316,3	2019,6				
15		2014,5	234,5	2249,0	1917,2	259,5	2176,7	1836,0	288,2	2124,1	1751,6	318,4	2070,0				
1550		5	1632,8	236,5	1869,3	1537,5	261,8	1799,3	1465,2	291,8	1757,0	1392,3	324,4	1716,8	1317,6	359,3	1676,9
		6	1690,7	238,4	1929,1	1594,2	263,9	1858,1	1520,2	294,0	1814,2	1445,4	326,7	1772,1			
		7	1748,5	240,3	1988,8	1650,9	266,0	1916,9	1574,5	296,3	1870,7	1498,4	329,0	1827,4			
		8	1806,4	242,2	2048,6	1707,6	268,1	1975,8	1630,2	298,5	1928,7	1551,5	331,2	1882,7			
	9	1864,3	244,1	2108,4	1764,3	270,2	2034,6	1685,2	300,8	1986,0	1604,5	333,5	1938,0				
	10	1922,1	246,0	2168,1	1821,0	272,3	2093,4	1740,3	303,0	2043,2	1657,6	335,8	1993,3				
	11	1980,0	248,0	2227,9	1877,7	274,4	2152,2	1795,3	305,2	2100,5	1710,6	338,0	2048,6				
	12	2037,8	249,9	2287,7	1934,4	276,6	2211,0	1850,3	307,5	2157,8	1763,6	340,3	2103,9				
	13	2095,7	251,8	2347,5	1991,1	278,7	2269,8	1905,3	309,7	2215,0	1816,7	342,6	2159,3				
	14	2153,5	253,7	2407,2	2047,8	280,8	2328,6	1960,3	312,0	2272,3	1869,7	344,8	2214,6				
	15	2211,4	255,6	2467,0	2104,5	282,9	2387,4	2015,3	314,2	2329,5	1922,8	347,1	2269,9				

Cooling and Heating Capacities - SyScrew Water EVO HP - _ / S Version

Model	LWT °C	Condenser LWT (°C)												
		25			30			35			40			
		P _{COOL}	P _{ABS}	P _{HEAT}	P _{COOL}	P _{ABS}	P _{HEAT}	P _{COOL}	P _{ABS}	P _{HEAT}	P _{COOL}	P _{ABS}	P _{HEAT}	
		kW	kW	kW	kW	kW	kW	kW	kW	kW	kW	kW	kW	
440	5	458,9	70,9	529,8	431,9	76,3	508,2	408,3	82,9	491,2	385,5	89,6	475,2	
	6	475,6	72,2	547,8	447,9	77,6	525,5	423,9	84,1	508,1	400,7	90,8	491,5	
	7	492,4	73,5	565,9	464,0	78,8	542,9	440,4	85,3	525,8	415,9	92,0	507,9	
	8	509,1	74,9	584,0	480,1	80,1	560,3	455,2	86,6	541,8	431,1	93,2	524,3	
	9	525,8	76,2	602,0	496,2	81,4	577,6	470,8	87,8	558,6	446,3	94,4	540,7	
	10	542,6	77,5	620,1	512,3	82,7	595,0	486,5	89,0	575,5	461,5	95,6	557,1	
	11	559,3	78,9	638,2	528,4	83,9	612,4	502,1	90,2	592,3	476,7	96,8	573,5	
	12	576,0	80,2	656,2	544,5	85,2	629,7	517,7	91,4	609,2	491,9	97,9	589,8	
	13	592,7	81,5	674,3	560,6	86,5	647,1	533,4	92,6	626,0	507,1	99,1	606,2	
	14	609,5	82,9	692,3	576,7	87,7	664,5	549,0	93,9	642,9	522,3	100,3	622,6	
	15	626,2	84,2	710,4	592,8	89,0	681,8	564,6	95,1	659,7	537,5	101,5	639,0	
	490	5	517,6	79,3	596,9	487,1	85,4	572,5	460,5	92,8	553,3	434,8	100,3	535,2
		6	536,4	80,8	617,3	505,2	86,9	592,1	478,1	94,2	572,3	452,0	101,7	553,6
		7	555,3	82,3	637,6	523,4	88,3	611,6	496,7	95,6	592,3	469,1	103,0	572,1
		8	574,2	83,8	658,0	541,5	89,7	631,2	513,4	96,9	610,3	486,2	104,3	590,6
9		593,0	85,3	678,4	559,7	91,1	650,8	531,0	98,3	629,3	503,4	105,7	609,0	
10		611,9	86,8	698,7	577,8	92,5	670,4	548,7	99,6	648,3	520,5	107,0	627,5	
11		630,8	88,3	719,1	596,0	94,0	690,0	566,3	101,0	667,3	537,6	108,3	646,0	
12		649,6	89,8	739,4	614,1	95,4	709,5	583,9	102,4	686,3	554,8	109,7	664,4	
13		668,5	91,3	759,8	632,3	96,8	729,1	601,6	103,7	705,3	571,9	111,0	682,9	
14		687,4	92,8	780,2	650,4	98,2	748,7	619,2	105,1	724,3	589,0	112,3	701,4	
15		706,2	94,3	800,5	668,6	99,7	768,3	636,8	106,4	743,3	606,2	113,7	719,8	
570		5	597,3	92,1	689,4	562,1	99,1	661,2	531,4	107,7	639,2	501,8	116,4	618,3
		6	619,1	93,8	712,9	583,0	100,8	683,8	551,8	109,3	661,1	521,6	118,0	639,6
		7	640,9	95,5	736,4	604,0	102,4	706,4	573,2	110,9	684,1	541,4	119,5	660,9
		8	662,6	97,3	759,9	624,9	104,1	729,0	592,5	112,5	704,9	561,1	121,1	682,2
	9	684,4	99,0	783,4	645,9	105,7	751,6	612,8	114,0	726,9	580,9	122,6	703,5	
	10	706,2	100,7	806,9	666,9	107,4	774,2	633,2	115,6	748,8	600,7	124,2	724,9	
	11	728,0	102,5	830,4	687,8	109,0	796,8	653,5	117,2	770,7	620,5	125,7	746,2	
	12	749,7	104,2	853,9	708,8	110,7	819,4	673,9	118,8	792,7	640,2	127,3	767,5	
	13	771,5	105,9	877,5	729,7	112,3	842,1	694,2	120,4	814,6	660,0	128,8	788,8	
	14	793,3	107,7	901,0	750,7	114,0	864,7	714,6	121,9	836,5	679,8	130,4	810,2	
	15	815,1	109,4	924,5	771,6	115,6	887,3	734,9	123,5	858,5	699,6	131,9	831,5	
	630	5	666,5	103,2	769,7	627,2	111,2	738,3	593,0	120,8	713,7	559,9	130,5	690,5
		6	690,8	105,2	796,0	650,6	113,0	763,6	615,7	122,6	738,2	582,0	132,3	714,3
		7	715,1	107,1	822,2	673,9	114,9	788,8	639,6	124,3	763,9	604,1	134,0	738,1
		8	739,4	109,1	848,4	697,3	116,7	814,0	661,1	126,1	787,2	626,1	135,7	761,9
9		763,7	111,0	874,7	720,7	118,6	839,2	683,8	127,9	811,7	648,2	137,5	785,7	
10		788,0	112,9	900,9	744,1	120,4	864,5	706,5	129,6	836,1	670,3	139,2	809,5	
11		812,3	114,9	927,1	767,4	122,3	889,7	729,2	131,4	860,6	692,3	140,9	833,3	
12		836,5	116,8	953,4	790,8	124,1	914,9	751,9	133,2	885,1	714,4	142,7	857,1	
13		860,8	118,8	979,6	814,2	126,0	940,2	774,6	134,9	909,6	736,4	144,4	880,9	
14		885,1	120,7	1005,9	837,6	127,8	965,4	797,3	136,7	934,0	758,5	146,2	904,7	
15		909,4	122,7	1032,1	861,0	129,7	990,6	820,0	138,5	958,5	780,6	147,9	928,5	
700		5	738,8	119,4	858,2	695,2	128,5	823,8	657,3	139,7	797,0	620,7	151,0	771,6
		6	765,7	121,6	887,4	721,1	130,7	851,8	682,5	141,7	824,2	645,1	153,0	798,1
		7	792,7	123,9	916,5	747,1	132,8	879,9	709,0	143,8	852,8	669,6	155,0	824,6
		8	819,6	126,1	945,7	773,0	135,0	907,9	732,8	145,8	878,6	694,1	157,0	851,0
	9	846,5	128,4	974,9	798,9	137,1	936,0	758,0	147,9	905,9	718,5	159,0	877,5	
	10	873,4	130,6	1004,1	824,8	139,2	964,0	783,1	149,9	933,1	743,0	161,0	904,0	
	11	900,4	132,9	1033,2	850,7	141,4	992,1	808,3	152,0	960,3	767,4	163,0	930,4	
	12	927,3	135,1	1062,4	876,6	143,5	1020,1	833,5	154,0	987,5	791,9	165,0	956,9	
	13	954,2	137,4	1091,6	902,5	145,7	1048,2	858,7	156,1	1014,7	816,3	167,0	983,4	
	14	981,2	139,6	1120,8	928,4	147,8	1076,3	883,8	158,1	1041,9	840,8	169,0	1009,8	
	15	1008,1	141,9	1150,0	954,4	150,0	1104,3	909,0	160,2	1069,2	865,3	171,0	1036,3	

Model	LWT °C	Condenser LWT (°C)												
		45			50			55			60			
		P _{COOL}	P _{ABS}	P _{HEAT}	P _{COOL}	P _{ABS}	P _{HEAT}	P _{COOL}	P _{ABS}	P _{HEAT}	P _{COOL}	P _{ABS}	P _{HEAT}	
		kW	kW	kW	kW	kW	kW	kW	kW	kW	kW	kW	kW	
440	5	361,2	97,3	458,4	338,3	105,5	443,7	318,2	112,8	430,9	294,1	121,9	416,0	
	6	376,3	98,4	474,7	352,6	106,5	459,1	332,0	113,8	445,8				
	7	391,3	99,5	490,9	366,9	107,6	474,5	345,9	114,8	460,8				
	8	406,4	100,7	507,1	381,2	108,7	489,8	359,8	115,9	475,7				
	9	421,5	101,8	523,3	395,5	109,8	505,2	373,6	116,9	490,6				
	10	436,5	102,9	539,5	409,8	110,8	520,6	387,5	118,0	505,5				
	11	451,6	104,1	555,7	424,1	111,9	536,0	401,4	119,0	520,4				
	12	466,7	105,2	571,9	438,4	113,0	551,4	415,2	120,0	535,3				
	13	481,8	106,3	588,1	452,7	114,1	566,7	429,1	121,1	550,2				
	14	496,8	107,5	604,3	467,0	115,1	582,1	443,0	122,1	565,1				
	15	511,9	108,6	620,5	481,3	116,2	597,5	456,8	123,1	580,0				
	490	5	407,4	108,9	516,3	381,5	118,1	499,6	358,8	126,3	485,1	331,7	136,4	468,2
		6	424,4	110,2	534,5	397,6	119,3	516,9	374,5	127,4	501,9			
		7	441,4	111,4	552,8	413,8	120,5	534,2	390,1	128,6	518,7			
		8	458,4	112,7	571,1	429,9	121,7	551,6	405,8	129,7	535,5			
9		475,4	114,0	589,3	446,0	122,9	568,9	421,4	130,9	552,3				
10		492,4	115,2	607,6	462,2	124,1	586,2	437,0	132,1	569,1				
11		509,3	116,5	625,9	478,3	125,3	603,6	452,7	133,2	585,9				
12		526,3	117,8	644,1	494,4	126,5	620,9	468,3	134,4	602,7				
13		543,3	119,1	662,4	510,5	127,7	638,2	484,0	135,6	619,5				
14		560,3	120,3	680,7	526,7	128,9	655,6	499,6	136,7	636,3				
15		577,3	121,6	698,9	542,8	130,1	672,9	515,3	137,9	653,1				
570		5	470,1	126,4	596,5	440,3	137,0	577,3	414,1	146,5	560,6	382,9	158,3	541,2
		6	489,7	127,8	617,6	458,9	138,4	597,3	432,2	147,9	580,0			
		7	509,4	129,3	638,7	477,5	139,8	617,3	450,2	149,2	599,4			
		8	529,0	130,8	659,8	496,1	141,2	637,3	468,3	150,6	618,8			
	9	548,6	132,3	680,9	514,7	142,6	657,3	486,3	151,9	638,2				
	10	568,2	133,7	701,9	533,4	144,0	677,4	504,4	153,3	657,6				
	11	587,8	135,2	723,0	552,0	145,4	697,4	522,4	154,6	677,0				
	12	607,4	136,7	744,1	570,6	146,8	717,4	540,5	156,0	696,4				
	13	627,1	138,2	765,2	589,2	148,2	737,4	558,5	157,3	715,8				
	14	646,7	139,6	786,3	607,8	149,6	757,4	576,6	158,7	735,2				
	15	666,3	141,1	807,4	626,4	151,0	777,4	594,6	160,0	754,6				
	630	5	524,6	141,7	666,2	491,3	153,6	644,9	462,1	164,3	626,4	427,2	177,5	604,7
		6	546,5	143,3	689,8	512,0	155,2	667,2	482,2	165,8	648,0			
		7	568,3	145,0	713,3	532,8	156,7	689,5	502,4	167,3	669,7			
		8	590,2	146,6	736,9	553,6	158,3	711,9	522,5	168,8	691,3			
9		612,1	148,3	760,4	574,3	159,9	734,2	542,6	170,3	713,0				
10		634,0	149,9	783,9	595,1	161,4	756,6	562,8	171,8	734,6				
11		655,9	151,6	807,5	615,9	163,0	778,9	582,9	173,3	756,3				
12		677,8	153,2	831,0	636,7	164,6	801,2	603,1	174,9	777,9				
13		699,7	154,9	854,6	657,4	166,1	823,6	623,2	176,4	799,6				
14		721,5	156,6	878,1	678,2	167,7	845,9	643,3	177,9	821,2				
15		743,4	158,2	901,6	699,0	169,3	868,2	663,5	179,4	842,9				
700		5	581,5	163,8	745,3	544,6	177,7	722,2	512,2	190,0	702,2	473,5	205,3	678,8
		6	605,7	165,8	771,5	567,6	179,5	747,0	534,5	191,7	726,3			
		7	630,0	167,7	797,7	590,6	181,3	771,9	556,9	193,5	750,3			
		8	654,3	169,6	823,8	613,6	183,1	796,7	579,2	195,2	774,4			
	9	678,5	171,5	850,0	636,7	184,9	821,6	601,5	197,0	798,5				
	10	702,8	173,4	876,2	659,7	186,7	846,4	623,8	198,7	822,6				
	11	727,0	175,3	902,4	682,7	188,5	871,2	646,2	200,5	846,6				
	12	751,3	177,2	928,5	705,7	190,3	896,1	668,5	202,2	870,7				
	13	775,6	179,1	954,7	728,8	192,1	920,9	690,8	204,0	894,8				
	14	799,8	181,1	980,9	751,8	194,0	945,7	713,1	205,7	918,9				
	15	824,1	183,0	1007,1	774,8	195,8	970,6	735,5	207,5	942,9				

Cooling and Heating Capacities - SyScrew Water EVO HP - _ / S Version (continue)

Model	LWT °C	Condenser LWT (°C)												
		25			30			35			40			
		P _{COOL}	P _{ABS}	P _{HEAT}	P _{COOL}	P _{ABS}	P _{HEAT}	P _{COOL}	P _{ABS}	P _{HEAT}	P _{COOL}	P _{ABS}	P _{HEAT}	
		kW	kW	kW	kW	kW	kW	kW	kW	kW	kW	kW	kW	
770	5	808,6	127,1	935,7	760,9	136,9	897,8	719,4	148,7	868,1	679,3	160,8	840,0	
	6	838,0	129,5	967,6	789,2	139,2	928,4	746,9	150,9	897,8	706,0	162,9	868,9	
	7	867,5	131,9	999,4	817,6	141,4	959,0	776,0	153,1	929,1	732,8	165,0	897,9	
	8	897,0	134,3	1031,3	846,0	143,7	989,7	802,0	155,3	957,3	759,6	167,2	926,8	
	9	926,4	136,7	1063,2	874,3	146,0	1020,3	829,5	157,5	987,0	786,4	169,3	955,7	
	10	955,9	139,1	1095,0	902,7	148,3	1051,0	857,1	159,6	1016,7	813,1	171,4	984,6	
	11	985,4	141,5	1126,9	931,0	150,6	1081,6	884,6	161,8	1046,5	839,9	173,6	1013,5	
	12	1014,9	143,9	1158,8	959,4	152,8	1112,2	912,2	164,0	1076,2	866,7	175,7	1042,4	
	13	1044,3	146,3	1190,6	987,8	155,1	1142,9	939,7	166,2	1105,9	893,4	177,9	1071,3	
	14	1073,8	148,7	1222,5	1016,1	157,4	1173,5	967,3	168,4	1135,7	920,2	180,0	1100,2	
	15	1103,3	151,1	1254,4	1044,5	159,7	1204,1	994,8	170,5	1165,4	947,0	182,1	1129,1	
	860	5	903,8	139,7	1043,5	850,5	150,5	1001,0	804,1	163,5	967,6	759,3	176,7	936,0
		6	936,7	142,4	1079,1	882,2	153,0	1035,2	834,9	165,9	1000,8	789,2	179,1	968,3
		7	969,7	145,0	1114,7	913,9	155,5	1069,4	867,4	168,3	1035,6	819,1	181,4	1000,5
		8	1002,6	147,6	1150,3	945,6	158,0	1103,6	896,5	170,7	1067,2	849,1	183,7	1032,8
9		1035,6	150,3	1185,8	977,3	160,5	1137,8	927,3	173,1	1100,3	879,0	186,1	1065,1	
10		1068,5	152,9	1221,4	1009,0	163,0	1172,0	958,1	175,5	1133,5	908,9	188,4	1097,3	
11		1101,5	155,5	1257,0	1040,7	165,5	1206,2	988,8	177,9	1166,7	938,8	190,8	1129,6	
12		1134,4	158,2	1292,6	1072,4	168,0	1240,4	1019,6	180,3	1199,9	968,7	193,1	1161,9	
13		1167,4	160,8	1328,1	1104,1	170,5	1274,6	1050,4	182,7	1233,1	998,7	195,5	1194,2	
14		1200,3	163,4	1363,7	1135,8	173,0	1308,8	1081,2	185,1	1266,3	1028,6	197,8	1226,4	
15		1233,2	166,0	1399,3	1167,5	175,5	1343,0	1112,0	187,5	1299,5	1058,5	200,2	1258,7	
920		5	974,1	149,3	1123,5	916,7	160,8	1077,5	866,7	174,7	1041,4	818,4	188,8	1007,2
		6	1009,6	152,1	1161,8	950,9	163,5	1114,3	899,9	177,3	1077,1	850,6	191,3	1042,0
		7	1045,2	154,9	1200,1	985,0	166,1	1151,2	934,9	179,8	1114,7	882,9	193,8	1076,7
		8	1080,7	157,8	1238,4	1019,2	168,8	1188,0	966,2	182,4	1148,6	915,1	196,4	1111,5
	9	1116,2	160,6	1276,7	1053,4	171,5	1224,9	999,4	185,0	1184,4	947,4	198,9	1146,3	
	10	1151,7	163,4	1315,1	1087,5	174,2	1261,7	1032,6	187,5	1220,1	979,6	201,4	1181,0	
	11	1187,2	166,2	1353,4	1121,7	176,8	1298,5	1065,8	190,1	1255,9	1011,9	203,9	1215,8	
	12	1222,7	169,0	1391,7	1155,9	179,5	1335,4	1099,0	192,6	1291,6	1044,1	206,4	1250,5	
	13	1258,2	171,8	1430,0	1190,0	182,2	1372,2	1132,2	195,2	1327,4	1076,4	208,9	1285,3	
	14	1293,7	174,6	1468,4	1224,2	184,9	1409,1	1165,4	197,8	1363,1	1108,6	211,4	1320,1	
	15	1329,2	177,4	1506,7	1258,4	187,6	1445,9	1198,6	200,3	1398,9	1140,9	213,9	1354,8	
	990	5	1046,0	160,2	1206,1	984,3	172,5	1156,8	930,6	187,4	1118,0	878,7	202,6	1081,3
		6	1084,1	163,2	1247,3	1021,0	175,4	1196,3	966,2	190,2	1156,4	913,4	205,3	1118,6
		7	1122,2	166,2	1288,4	1057,6	178,2	1235,9	1003,8	192,9	1196,7	948,0	208,0	1155,9
		8	1160,3	169,2	1329,6	1094,3	181,1	1275,4	1037,5	195,7	1233,1	982,6	210,6	1193,3
9		1198,5	172,3	1370,7	1131,0	184,0	1315,0	1073,1	198,4	1271,5	1017,2	213,3	1230,6	
10		1236,6	175,3	1411,9	1167,7	186,8	1354,5	1108,7	201,2	1309,9	1051,9	216,0	1267,9	
11		1274,7	178,3	1453,0	1204,4	189,7	1394,1	1144,4	203,9	1348,3	1086,5	218,7	1305,2	
12		1312,8	181,3	1494,1	1241,1	192,6	1433,7	1180,0	206,7	1386,7	1121,1	221,4	1342,5	
13		1351,0	184,3	1535,3	1277,8	195,5	1473,2	1215,7	209,4	1425,1	1155,8	224,1	1379,9	
14		1389,1	187,3	1576,4	1314,5	198,3	1512,8	1251,3	212,1	1463,4	1190,4	226,8	1417,2	
15		1427,2	190,4	1617,6	1351,1	201,2	1552,3	1286,9	214,9	1501,8	1225,0	229,5	1454,5	
1070		5	1118,8	173,4	1292,1	1052,8	186,7	1239,5	995,3	202,9	1198,2	939,9	219,3	1159,1
		6	1159,5	176,6	1336,2	1092,0	189,8	1281,8	1033,5	205,8	1239,3	976,9	222,2	1199,1
		7	1200,3	179,9	1380,2	1131,3	192,9	1324,2	1073,7	208,8	1282,5	1014,0	225,1	1239,0
		8	1241,1	183,2	1424,3	1170,5	196,0	1366,5	1109,7	211,8	1321,5	1051,0	228,0	1279,0
	9	1281,9	186,4	1468,3	1209,7	199,1	1408,9	1147,8	214,8	1362,6	1088,0	230,9	1318,9	
	10	1322,7	189,7	1512,4	1249,0	202,2	1451,2	1185,9	217,7	1403,7	1125,1	233,8	1358,9	
	11	1363,4	193,0	1556,4	1288,2	205,3	1493,6	1224,0	220,7	1444,7	1162,1	236,7	1398,9	
	12	1404,2	196,2	1600,5	1327,5	208,4	1535,9	1262,2	223,7	1485,8	1199,2	239,6	1438,8	
	13	1445,0	199,5	1644,5	1366,7	211,6	1578,3	1300,3	226,7	1526,9	1236,2	242,6	1478,8	
	14	1485,8	202,8	1688,5	1405,9	214,7	1620,6	1338,4	229,6	1568,0	1273,2	245,5	1518,7	
	15	1526,6	206,0	1732,6	1445,2	217,8	1663,0	1376,5	232,6	1609,1	1310,3	248,4	1558,7	

Model	LWT °C	Condenser LWT (°C)												
		45			50			55			60			
		P _{COOL}	P _{ABS}	P _{HEAT}	P _{COOL}	P _{ABS}	P _{HEAT}	P _{COOL}	P _{ABS}	P _{HEAT}	P _{COOL}	P _{ABS}	P _{HEAT}	
		kW	kW	kW	kW	kW	kW	kW	kW	kW	kW	kW	kW	
770	5	636,4	174,5	810,9	596,0	189,2	785,2	560,6	202,3	762,9	518,2	218,6	736,9	
	6	662,9	176,5	839,4	621,2	191,1	812,3	585,0	204,2	789,2				
	7	689,5	178,5	868,0	646,4	193,0	839,4	609,4	206,0	815,5				
	8	716,0	180,6	896,6	671,6	195,0	866,5	633,9	207,9	841,8				
	9	742,6	182,6	925,2	696,8	196,9	893,7	658,3	209,8	868,1				
	10	769,1	184,7	953,8	722,0	198,8	920,8	682,7	211,6	894,4				
	11	795,7	186,7	982,4	747,2	200,8	947,9	707,2	213,5	920,7				
	12	822,2	188,7	1011,0	772,4	202,7	975,0	731,6	215,3	947,0				
	13	848,8	190,8	1039,6	797,6	204,6	1002,2	756,0	217,2	973,2				
	14	875,3	192,8	1068,1	822,8	206,5	1029,3	780,5	219,1	999,5				
	15	901,9	194,8	1096,7	848,0	208,5	1056,4	804,9	220,9	1025,8				
	860	5	711,3	191,8	903,1	666,2	207,9	874,1	626,6	222,4	849,0	579,3	240,3	819,6
		6	741,0	194,0	935,0	694,3	210,1	904,4	653,9	224,4	878,3			
		7	770,7	196,2	966,9	722,5	212,2	934,7	681,2	226,5	907,7			
		8	800,4	198,5	998,9	750,7	214,3	965,0	708,5	228,5	937,1			
9		830,1	200,7	1030,8	778,8	216,4	995,3	735,9	230,6	966,4				
10		859,7	203,0	1062,7	807,0	218,5	1025,5	763,2	232,6	995,8				
11		889,4	205,2	1094,6	835,2	220,7	1055,8	790,5	234,6	1025,1				
12		919,1	207,4	1126,5	863,3	222,8	1086,1	817,8	236,7	1054,5				
13		948,8	209,7	1158,5	891,5	224,9	1116,4	845,1	238,7	1083,8				
14		978,5	211,9	1190,4	919,7	227,0	1146,7	872,4	240,8	1113,2				
15		1008,1	214,2	1222,3	947,8	229,1	1177,0	899,7	242,8	1142,6				
920		5	766,7	204,9	971,6	718,0	222,2	940,2	675,4	237,6	913,0	624,4	256,8	881,2
		6	798,7	207,3	1006,0	748,4	224,5	972,9	704,8	239,8	944,6			
		7	830,7	209,7	1040,4	778,7	226,7	1005,5	734,3	242,0	976,3			
		8	862,7	212,1	1074,8	809,1	229,0	1038,1	763,7	244,2	1007,9			
	9	894,7	214,5	1109,2	839,5	231,3	1070,7	793,1	246,4	1039,5				
	10	926,7	216,9	1143,5	869,8	233,5	1103,4	822,6	248,6	1071,1				
	11	958,6	219,3	1177,9	900,2	235,8	1136,0	852,0	250,7	1102,8				
	12	990,6	221,7	1212,3	930,5	238,1	1168,6	881,4	252,9	1134,4				
	13	1022,6	224,1	1246,7	960,9	240,3	1201,2	910,9	255,1	1166,0				
	14	1054,6	226,5	1281,1	991,3	242,6	1233,9	940,3	257,3	1197,6				
	15	1086,6	228,9	1315,5	1021,6	244,9	1266,5	969,8	259,5	1229,2				
	990	5	823,2	219,8	1043,1	771,0	238,4	1009,3	725,2	254,9	980,1	670,4	275,5	945,9
		6	857,6	222,4	1080,0	803,6	240,8	1044,4	756,8	257,3	1014,0			
		7	891,9	225,0	1116,9	836,2	243,2	1079,4	788,4	259,6	1048,0			
		8	926,3	227,5	1153,8	868,8	245,7	1114,4	820,0	262,0	1081,9			
9		960,6	230,1	1190,7	901,4	248,1	1149,4	851,6	264,3	1115,9				
10		995,0	232,7	1227,6	933,9	250,5	1184,5	883,2	266,6	1149,9				
11		1029,3	235,2	1264,6	966,5	253,0	1219,5	914,8	269,0	1183,8				
12		1063,7	237,8	1301,5	999,1	255,4	1254,5	946,4	271,3	1217,8				
13		1098,0	240,4	1338,4	1031,7	257,8	1289,6	978,0	273,7	1251,7				
14		1132,4	242,9	1375,3	1064,3	260,2	1324,6	1009,6	276,0	1285,7				
15		1166,7	245,5	1412,2	1096,9	262,7	1359,6	1041,2	278,4	1319,6				
1070		5	880,5	237,9	1118,5	824,6	258,0	1082,6	775,6	275,9	1051,6	717,1	298,2	1015,2
		6	917,3	240,7	1158,0	859,5	260,6	1120,1	809,5	278,4	1087,9			
		7	954,0	243,5	1197,5	894,4	263,3	1157,6	843,3	281,0	1124,2			
		8	990,8	246,3	1237,0	929,2	265,9	1195,1	877,1	283,5	1160,6			
	9	1027,5	249,1	1276,5	964,1	268,5	1232,6	910,9	286,1	1196,9				
	10	1064,2	251,8	1316,1	999,0	271,2	1270,1	944,7	288,6	1233,3				
	11	1101,0	254,6	1355,6	1033,8	273,8	1307,6	978,5	291,1	1269,6				
	12	1137,7	257,4	1395,1	1068,7	276,4	1345,1	1012,3	293,7	1306,0				
	13	1174,4	260,2	1434,6	1103,6	279,0	1382,6	1046,1	296,2	1342,3				
	14	1211,2	262,9	1474,1	1138,4	281,7	1420,1	1079,9	298,8	1378,7				
	15	1247,9	265,7	1513,6	1173,3	284,3	1457,6	1113,7	301,3	1415,0				

Cooling and Heating Capacities - SyScrew Water EVO HP - _ / S Version (continue)

Model	LWT °C	Condenser LWT (°C)												
		25			30			35			40			
		P _{COOL}	P _{ABS}	P _{HEAT}	P _{COOL}	P _{ABS}	P _{HEAT}	P _{COOL}	P _{ABS}	P _{HEAT}	P _{COOL}	P _{ABS}	P _{HEAT}	
		kW	kW	kW	kW	kW	kW	kW	kW	kW	kW	kW	kW	
1130	5	1180,4	184,4	1364,9	1110,8	198,6	1309,4	1050,2	215,8	1266,0	991,7	233,2	1224,9	
	6	1223,5	187,9	1411,4	1152,2	201,9	1354,1	1090,4	218,9	1309,4	1030,8	236,3	1267,1	
	7	1266,5	191,4	1457,9	1193,6	205,2	1398,8	1132,8	222,1	1354,9	1069,9	239,4	1309,3	
	8	1309,5	194,8	1504,4	1235,0	208,5	1443,5	1170,9	225,3	1396,1	1109,0	242,5	1351,4	
	9	1352,6	198,3	1550,9	1276,4	211,8	1488,2	1211,1	228,4	1439,5	1148,0	245,6	1393,6	
	10	1395,6	201,8	1597,4	1317,9	215,1	1532,9	1251,3	231,6	1482,9	1187,1	248,7	1435,8	
	11	1438,6	205,2	1643,9	1359,3	218,4	1577,7	1291,5	234,7	1526,3	1226,2	251,8	1478,0	
	12	1481,6	208,7	1690,4	1400,7	221,7	1622,4	1331,8	237,9	1569,7	1265,3	254,9	1520,2	
	13	1524,7	212,2	1736,9	1442,1	225,0	1667,1	1372,0	241,1	1613,0	1304,4	258,0	1562,3	
	14	1567,7	215,7	1783,4	1483,5	228,3	1711,8	1412,2	244,2	1656,4	1343,4	261,1	1604,5	
	15	1610,7	219,1	1829,9	1524,9	231,6	1756,5	1452,4	247,4	1699,8	1382,5	264,2	1646,7	
	1220	5	1276,2	200,0	1476,2	1200,9	215,3	1416,2	1135,4	234,0	1369,4	1072,1	252,9	1325,0
		6	1322,7	203,7	1526,4	1245,7	218,9	1464,6	1178,9	237,4	1416,3	1114,4	256,2	1370,6
		7	1369,2	207,5	1576,7	1290,4	222,5	1512,9	1224,7	240,8	1465,6	1156,6	259,6	1416,2
		8	1415,7	211,3	1627,0	1335,2	226,1	1561,3	1265,8	244,3	1510,1	1198,9	263,0	1461,9
9		1462,3	215,0	1677,3	1380,0	229,7	1609,6	1309,3	247,7	1557,0	1241,1	266,3	1507,5	
10		1508,8	218,8	1727,6	1424,7	233,2	1658,0	1352,8	251,1	1603,9	1283,4	269,7	1553,1	
11		1555,3	222,6	1777,9	1469,5	236,8	1706,3	1396,3	254,6	1650,8	1325,6	273,0	1598,7	
12		1601,8	226,3	1828,1	1514,3	240,4	1754,7	1439,8	258,0	1697,7	1367,9	276,4	1644,3	
13		1648,3	230,1	1878,4	1559,0	244,0	1803,0	1483,2	261,4	1744,7	1410,1	279,8	1689,9	
14		1694,8	233,9	1928,7	1603,8	247,6	1851,4	1526,7	264,8	1791,6	1452,4	283,1	1735,5	
15		1741,4	237,6	1979,0	1648,5	251,2	1899,7	1570,2	268,3	1838,5	1494,6	286,5	1781,1	
1280		5	1339,7	209,6	1549,2	1260,7	225,6	1486,3	1191,9	245,2	1437,0	1125,5	265,0	1390,5
		6	1388,5	213,5	1602,0	1307,6	229,4	1537,0	1237,5	248,8	1486,3	1169,8	268,5	1438,3
		7	1437,3	217,4	1654,8	1354,6	233,1	1587,8	1285,6	252,4	1538,0	1214,2	272,0	1486,2
		8	1486,1	221,4	1707,5	1401,6	236,9	1638,5	1328,8	256,0	1584,8	1258,5	275,5	1534,1
	9	1535,0	225,3	1760,3	1448,6	240,7	1689,3	1374,4	259,6	1634,0	1302,9	279,1	1581,9	
	10	1583,8	229,3	1813,1	1495,6	244,4	1740,0	1420,1	263,1	1683,2	1347,2	282,6	1629,8	
	11	1632,6	233,2	1865,9	1542,6	248,2	1790,8	1465,7	266,7	1732,5	1391,6	286,1	1677,7	
	12	1681,5	237,2	1918,6	1589,6	251,9	1841,5	1511,4	270,3	1781,7	1435,9	289,6	1725,6	
	13	1730,3	241,1	1971,4	1636,6	255,7	1892,2	1557,0	273,9	1830,9	1480,3	293,2	1773,4	
	14	1779,1	245,1	2024,2	1683,5	259,4	1943,0	1602,7	277,5	1880,2	1524,6	296,7	1821,3	
	15	1828,0	249,0	2077,0	1730,5	263,2	1993,7	1648,3	281,1	1929,4	1569,0	300,2	1869,2	
	1400	5	1489,5	238,5	1728,0	1401,7	256,8	1658,5	1325,2	279,1	1604,2	1251,3	301,6	1552,9
		6	1543,8	243,0	1786,8	1453,9	261,1	1715,0	1375,9	283,2	1659,1	1300,7	305,6	1606,3
		7	1598,1	247,5	1845,6	1506,1	265,4	1771,5	1429,4	287,2	1716,7	1350,0	309,6	1659,6
		8	1652,4	252,0	1904,3	1558,4	269,6	1828,0	1477,4	291,3	1768,7	1399,3	313,6	1712,9
9		1706,7	256,5	1963,1	1610,6	273,9	1884,5	1528,2	295,4	1823,6	1448,6	317,6	1766,2	
10		1761,0	261,0	2021,9	1662,9	278,2	1941,1	1578,9	299,5	1878,4	1497,9	321,6	1819,5	
11		1815,2	265,5	2080,7	1715,1	282,5	1997,6	1629,7	303,6	1933,3	1547,2	325,7	1872,9	
12		1869,5	269,9	2139,5	1767,4	286,7	2054,1	1680,4	307,7	1988,1	1596,5	329,7	1926,2	
13		1923,8	274,4	2198,3	1819,6	291,0	2110,6	1731,2	311,8	2042,9	1645,8	333,7	1979,5	
14		1978,1	278,9	2257,1	1871,8	295,3	2167,1	1781,9	315,9	2097,8	1695,2	337,7	2032,8	
15		2032,4	283,4	2315,8	1924,1	299,6	2223,7	1832,7	320,0	2152,6	1744,5	341,7	2086,1	
1550		5	1612,6	250,6	1863,2	1517,5	269,9	1787,3	1434,7	293,2	1727,9	1354,7	316,9	1671,7
		6	1671,3	255,3	1926,7	1574,0	274,3	1848,4	1489,6	297,5	1787,1	1408,1	321,1	1729,3
		7	1730,1	260,1	1990,2	1630,6	278,8	1909,4	1547,5	301,8	1849,4	1461,5	325,3	1786,9
		8	1788,9	264,8	2053,7	1687,1	283,3	1970,5	1599,5	306,1	1905,6	1514,9	329,6	1844,5
	9	1847,7	269,5	2117,2	1743,7	287,8	2031,5	1654,4	310,4	1964,8	1568,3	333,8	1902,0	
	10	1906,5	274,2	2180,7	1800,3	292,3	2092,6	1709,4	314,7	2024,1	1621,7	338,0	1959,6	
	11	1965,2	278,9	2244,2	1856,8	296,8	2153,6	1764,3	319,0	2083,3	1675,1	342,2	2017,2	
	12	2024,0	283,7	2307,7	1913,4	301,3	2214,7	1819,2	323,3	2142,6	1728,4	346,4	2074,8	
	13	2082,8	288,4	2371,2	1969,9	305,8	2275,7	1874,2	327,6	2201,8	1781,8	350,6	2132,4	
	14	2141,6	293,1	2434,7	2026,5	310,3	2336,8	1929,1	331,9	2261,1	1835,2	354,8	2190,0	
	15	2200,4	297,8	2498,2	2083,1	314,8	2397,8	1984,1	336,2	2320,3	1888,6	359,0	2247,6	

* Only Compressors.

Model	LWT °C	Condenser LWT (°C)												
		45			50			55			60			
		P _{COOL}	P _{ABS}	P _{HEAT}	P _{COOL}	P _{ABS}	P _{HEAT}	P _{COOL}	P _{ABS}	P _{HEAT}	P _{COOL}	P _{ABS}	P _{HEAT}	
		kW	kW	kW	kW	kW	kW	kW	kW	kW	kW	kW	kW	
1130	5	929,1	253,1	1182,2	870,1	274,4	1144,5	818,4	293,5	1111,9	756,6	317,1	1073,7	
	6	967,8	256,0	1223,9	906,9	277,2	1184,1	854,1	296,2	1150,2				
	7	1006,6	259,0	1265,6	943,7	280,0	1223,7	889,8	298,9	1188,6				
	8	1045,4	261,9	1307,3	980,5	282,8	1263,3	925,4	301,6	1227,0				
	9	1084,1	264,9	1349,0	1017,2	285,6	1302,9	961,1	304,3	1265,4				
	10	1122,9	267,9	1390,8	1054,0	288,4	1342,4	996,8	307,0	1303,7				
	11	1161,7	270,8	1432,5	1090,8	291,2	1382,0	1032,4	309,7	1342,1				
	12	1200,4	273,8	1474,2	1127,6	294,0	1421,6	1068,1	312,4	1380,5				
	13	1239,2	276,7	1515,9	1164,4	296,8	1461,2	1103,8	315,1	1418,9				
	14	1278,0	279,7	1557,6	1201,2	299,6	1500,8	1139,5	317,8	1457,2				
	15	1316,7	282,6	1599,4	1238,0	302,4	1540,4	1175,1	320,5	1495,6				
	1220	5	1004,4	274,4	1278,9	940,7	297,6	1238,2	884,8	318,2	1203,0	818,0	343,9	1161,9
		6	1046,3	277,6	1324,0	980,4	300,6	1281,0	923,4	321,2	1244,5			
		7	1088,3	280,8	1369,1	1020,2	303,6	1323,8	961,9	324,1	1286,0			
		8	1130,2	284,1	1414,2	1060,0	306,7	1366,7	1000,5	327,0	1327,5			
9		1172,1	287,3	1459,3	1099,7	309,7	1409,5	1039,0	329,9	1369,0				
10		1214,0	290,5	1504,4	1139,5	312,7	1452,3	1077,6	332,9	1410,5				
11		1255,9	293,7	1549,5	1179,3	315,8	1495,1	1116,2	335,8	1452,0				
12		1297,8	296,9	1594,7	1219,1	318,8	1537,9	1154,7	338,7	1493,5				
13		1339,7	300,1	1639,8	1258,8	321,8	1580,7	1193,3	341,7	1535,0				
14		1381,6	303,3	1684,9	1298,6	324,9	1623,5	1231,9	344,6	1576,5				
15		1423,5	306,5	1730,0	1338,4	327,9	1666,3	1270,4	347,5	1617,9				
1280		5	1054,4	287,6	1342,0	987,4	311,8	1299,3	928,8	333,5	1262,3	858,6	360,4	1219,0
		6	1098,4	290,9	1389,3	1029,2	315,0	1344,2	969,3	336,5	1305,8			
		7	1142,4	294,3	1436,7	1070,9	318,2	1389,1	1009,8	339,6	1349,4			
		8	1186,4	297,6	1484,0	1112,7	321,4	1434,1	1050,2	342,7	1392,9			
	9	1230,4	301,0	1531,4	1154,4	324,5	1479,0	1090,7	345,7	1436,5				
	10	1274,4	304,4	1578,7	1196,2	327,7	1523,9	1131,2	348,8	1480,0				
	11	1318,3	307,7	1626,1	1237,9	330,9	1568,8	1171,7	351,9	1523,6				
	12	1362,3	311,1	1673,4	1279,7	334,1	1613,8	1212,2	354,9	1567,1				
	13	1406,3	314,4	1720,8	1321,4	337,3	1658,7	1252,7	358,0	1610,7				
	14	1450,3	317,8	1768,1	1363,2	340,4	1703,6	1293,1	361,1	1654,2				
	15	1494,3	321,1	1815,5	1404,9	343,6	1748,6	1333,6	364,1	1697,8				
	1400	5	1172,3	327,3	1499,6	1097,9	354,9	1452,8	1032,7	379,5	1412,2	954,7	410,2	1364,9
		6	1221,2	331,1	1552,4	1144,3	358,5	1502,8	1077,7	383,0	1460,7			
		7	1270,1	335,0	1605,1	1190,7	362,2	1552,9	1122,7	386,5	1509,2			
		8	1319,1	338,8	1657,8	1237,1	365,8	1602,9	1167,7	390,0	1557,7			
9		1368,0	342,6	1710,6	1283,6	369,4	1653,0	1212,7	393,5	1606,2				
10		1416,9	346,4	1763,3	1330,0	373,0	1703,0	1257,7	397,0	1654,7				
11		1465,8	350,2	1816,0	1376,4	376,6	1753,0	1302,7	400,5	1703,2				
12		1514,7	354,1	1868,8	1422,8	380,2	1803,1	1347,7	404,0	1751,7				
13		1563,6	357,9	1921,5	1469,2	383,9	1853,1	1392,8	407,5	1800,2				
14		1612,5	361,7	1974,2	1515,7	387,5	1903,1	1437,8	411,0	1848,8				
15		1661,4	365,5	2027,0	1562,1	391,1	1953,2	1482,8	414,5	1897,3				
1550		5	1269,2	343,9	1613,1	1188,6	372,9	1561,5	1118,0	398,8	1516,8	1033,6	431,0	1464,6
		6	1322,1	348,0	1670,1	1238,8	376,7	1615,6	1166,7	402,5	1569,2			
		7	1375,1	352,0	1727,1	1289,1	380,5	1669,7	1215,5	406,2	1621,6			
		8	1428,0	356,0	1784,0	1339,4	384,3	1723,7	1264,2	409,8	1674,0			
	9	1481,0	360,0	1841,0	1389,6	388,1	1777,8	1312,9	413,5	1726,4				
	10	1534,0	364,0	1898,0	1439,9	392,0	1831,8	1361,6	417,2	1778,8				
	11	1586,9	368,0	1954,9	1490,1	395,8	1885,9	1410,4	420,8	1831,2				
	12	1639,9	372,0	2011,9	1540,4	399,6	1939,9	1459,1	424,5	1883,6				
	13	1692,8	376,1	2068,9	1590,6	403,4	1994,0	1507,8	428,2	1936,0				
	14	1745,8	380,1	2125,8	1640,9	407,2	2048,0	1556,6	431,9	1988,4				
	15	1798,7	384,1	2182,8	1691,1	411,0	2102,1	1605,3	435,5	2040,8				

Cooling Capacities - SyScrew Water EVO RC - __ / S Version

Model	LWT °C	Condensing Temperature												
		29			34			39			44			
		P _{COOL}	P _{ABS}	P _{REJ}	P _{COOL}	P _{ABS}	P _{REJ}	P _{COOL}	P _{ABS}	P _{REJ}	P _{COOL}	P _{ABS}	P _{REJ}	
		kW	kW	kW	kW	kW	kW	kW	kW	kW	kW	kW	kW	
440	5	458,9	70,9	529,8	431,9	76,3	508,2	408,3	82,9	491,2	385,5	89,6	475,2	
	6	475,6	72,2	547,8	447,9	77,6	525,5	423,9	84,1	508,1	400,7	90,8	491,5	
	7	492,4	73,5	565,9	464,0	78,8	542,9	440,4	85,3	525,8	415,9	92,0	507,9	
	8	509,1	74,9	584,0	480,1	80,1	560,3	455,2	86,6	541,8	431,1	93,2	524,3	
	9	525,8	76,2	602,0	496,2	81,4	577,6	470,8	87,8	558,6	446,3	94,4	540,7	
	10	542,6	77,5	620,1	512,3	82,7	595,0	486,5	89,0	575,5	461,5	95,6	557,1	
	11	559,3	78,9	638,2	528,4	83,9	612,4	502,1	90,2	592,3	476,7	96,8	573,5	
	12	576,0	80,2	656,2	544,5	85,2	629,7	517,7	91,4	609,2	491,9	97,9	589,8	
	13	592,7	81,5	674,3	560,6	86,5	647,1	533,4	92,6	626,0	507,1	99,1	606,2	
	14	609,5	82,9	692,3	576,7	87,7	664,5	549,0	93,9	642,9	522,3	100,3	622,6	
	15	626,2	84,2	710,4	592,8	89,0	681,8	564,6	95,1	659,7	537,5	101,5	639,0	
	490	5	517,6	79,3	596,9	487,1	85,4	572,5	460,5	92,8	553,3	434,8	100,3	535,2
		6	536,4	80,8	617,3	505,2	86,9	592,1	478,1	94,2	572,3	452,0	101,7	553,6
		7	555,3	82,3	637,6	523,4	88,3	611,6	496,7	95,6	592,3	469,1	103,0	572,1
		8	574,2	83,8	658,0	541,5	89,7	631,2	513,4	96,9	610,3	486,2	104,3	590,6
9		593,0	85,3	678,4	559,7	91,1	650,8	531,0	98,3	629,3	503,4	105,7	609,0	
10		611,9	86,8	698,7	577,8	92,5	670,4	548,7	99,6	648,3	520,5	107,0	627,5	
11		630,8	88,3	719,1	596,0	94,0	690,0	566,3	101,0	667,3	537,6	108,3	646,0	
12		649,6	89,8	739,4	614,1	95,4	709,5	583,9	102,4	686,3	554,8	109,7	664,4	
13		668,5	91,3	759,8	632,3	96,8	729,1	601,6	103,7	705,3	571,9	111,0	682,9	
14		687,4	92,8	780,2	650,4	98,2	748,7	619,2	105,1	724,3	589,0	112,3	701,4	
15		706,2	94,3	800,5	668,6	99,7	768,3	636,8	106,4	743,3	606,2	113,7	719,8	
570		5	597,3	92,1	689,4	562,1	99,1	661,2	531,4	107,7	639,2	501,8	116,4	618,3
		6	619,1	93,8	712,9	583,0	100,8	683,8	551,8	109,3	661,1	521,6	118,0	639,6
		7	640,9	95,5	736,4	604,0	102,4	706,4	573,2	110,9	684,1	541,4	119,5	660,9
		8	662,6	97,3	759,9	624,9	104,1	729,0	592,5	112,5	704,9	561,1	121,1	682,2
	9	684,4	99,0	783,4	645,9	105,7	751,6	612,8	114,0	726,9	580,9	122,6	703,5	
	10	706,2	100,7	806,9	666,9	107,4	774,2	633,2	115,6	748,8	600,7	124,2	724,9	
	11	728,0	102,5	830,4	687,8	109,0	796,8	653,5	117,2	770,7	620,5	125,7	746,2	
	12	749,7	104,2	853,9	708,8	110,7	819,4	673,9	118,8	792,7	640,2	127,3	767,5	
	13	771,5	105,9	877,5	729,7	112,3	842,1	694,2	120,4	814,6	660,0	128,8	788,8	
	14	793,3	107,7	901,0	750,7	114,0	864,7	714,6	121,9	836,5	679,8	130,4	810,2	
	15	815,1	109,4	924,5	771,6	115,6	887,3	734,9	123,5	858,5	699,6	131,9	831,5	
	630	5	666,5	103,2	769,7	627,2	111,2	738,3	593,0	120,8	713,7	559,9	130,5	690,5
		6	690,8	105,2	796,0	650,6	113,0	763,6	615,7	122,6	738,2	582,0	132,3	714,3
		7	715,1	107,1	822,2	673,9	114,9	788,8	639,6	124,3	763,9	604,1	134,0	738,1
		8	739,4	109,1	848,4	697,3	116,7	814,0	661,1	126,1	787,2	626,1	135,7	761,9
9		763,7	111,0	874,7	720,7	118,6	839,2	683,8	127,9	811,7	648,2	137,5	785,7	
10		788,0	112,9	900,9	744,1	120,4	864,5	706,5	129,6	836,1	670,3	139,2	809,5	
11		812,3	114,9	927,1	767,4	122,3	889,7	729,2	131,4	860,6	692,3	140,9	833,3	
12		836,5	116,8	953,4	790,8	124,1	914,9	751,9	133,2	885,1	714,4	142,7	857,1	
13		860,8	118,8	979,6	814,2	126,0	940,2	774,6	134,9	909,6	736,4	144,4	880,9	
14		885,1	120,7	1005,9	837,6	127,8	965,4	797,3	136,7	934,0	758,5	146,2	904,7	
15		909,4	122,7	1032,1	861,0	129,7	990,6	820,0	138,5	958,5	780,6	147,9	928,5	
700		5	738,8	119,4	858,2	695,2	128,5	823,8	657,3	139,7	797,0	620,7	151,0	771,6
		6	765,7	121,6	887,4	721,1	130,7	851,8	682,5	141,7	824,2	645,1	153,0	798,1
		7	792,7	123,9	916,5	747,1	132,8	879,9	709,0	143,8	852,8	669,6	155,0	824,6
		8	819,6	126,1	945,7	773,0	135,0	907,9	732,8	145,8	878,6	694,1	157,0	851,0
	9	846,5	128,4	974,9	798,9	137,1	936,0	758,0	147,9	905,9	718,5	159,0	877,5	
	10	873,4	130,6	1004,1	824,8	139,2	964,0	783,1	149,9	933,1	743,0	161,0	904,0	
	11	900,4	132,9	1033,2	850,7	141,4	992,1	808,3	152,0	960,3	767,4	163,0	930,4	
	12	927,3	135,1	1062,4	876,6	143,5	1020,1	833,5	154,0	987,5	791,9	165,0	956,9	
	13	954,2	137,4	1091,6	902,5	145,7	1048,2	858,7	156,1	1014,7	816,3	167,0	983,4	
	14	981,2	139,6	1120,8	928,4	147,8	1076,3	883,8	158,1	1041,9	840,8	169,0	1009,8	
	15	1008,1	141,9	1150,0	954,4	150,0	1104,3	909,0	160,2	1069,2	865,3	171,0	1036,3	

Model	LWT °C	Condensing Temperature									
		49			54			59			
		P _{COOL}	P _{ABS}	P _{REJ}	P _{COOL}	P _{ABS}	P _{REJ}	P _{COOL}	P _{ABS}	P _{REJ}	
		kW	kW	kW	kW	kW	kW	kW	kW	kW	
440	5	361,2	97,3	458,4	338,3	105,5	443,7	318,2	112,8	430,9	
	6	376,3	98,4	474,7	352,6	106,5	459,1	332,0	113,8	445,8	
	7	391,3	99,5	490,9	366,9	107,6	474,5	345,9	114,8	460,8	
	8	406,4	100,7	507,1	381,2	108,7	489,8	359,8	115,9	475,7	
	9	421,5	101,8	523,3	395,5	109,8	505,2	373,6	116,9	490,6	
	10	436,5	102,9	539,5	409,8	110,8	520,6	387,5	118,0	505,5	
	11	451,6	104,1	555,7	424,1	111,9	536,0	401,4	119,0	520,4	
	12	466,7	105,2	571,9	438,4	113,0	551,4	415,2	120,0	535,3	
	13	481,8	106,3	588,1	452,7	114,1	566,7	429,1	121,1	550,2	
	14	496,8	107,5	604,3	467,0	115,1	582,1	443,0	122,1	565,1	
	15	511,9	108,6	620,5	481,3	116,2	597,5	456,8	123,1	580,0	
	490	5	407,4	108,9	516,3	381,5	118,1	499,6	358,8	126,3	485,1
		6	424,4	110,2	534,5	397,6	119,3	516,9	374,5	127,4	501,9
		7	441,4	111,4	552,8	413,8	120,5	534,2	390,1	128,6	518,7
		8	458,4	112,7	571,1	429,9	121,7	551,6	405,8	129,7	535,5
9		475,4	114,0	589,3	446,0	122,9	568,9	421,4	130,9	552,3	
10		492,4	115,2	607,6	462,2	124,1	586,2	437,0	132,1	569,1	
11		509,3	116,5	625,9	478,3	125,3	603,6	452,7	133,2	585,9	
12		526,3	117,8	644,1	494,4	126,5	620,9	468,3	134,4	602,7	
13		543,3	119,1	662,4	510,5	127,7	638,2	484,0	135,6	619,5	
14		560,3	120,3	680,7	526,7	128,9	655,6	499,6	136,7	636,3	
15		577,3	121,6	698,9	542,8	130,1	672,9	515,3	137,9	653,1	
570		5	470,1	126,4	596,5	440,3	137,0	577,3	414,1	146,5	560,6
		6	489,7	127,8	617,6	458,9	138,4	597,3	432,2	147,9	580,0
		7	509,4	129,3	638,7	477,5	139,8	617,3	450,2	149,2	599,4
		8	529,0	130,8	659,8	496,1	141,2	637,3	468,3	150,6	618,8
	9	548,6	132,3	680,9	514,7	142,6	657,3	486,3	151,9	638,2	
	10	568,2	133,7	701,9	533,4	144,0	677,4	504,4	153,3	657,6	
	11	587,8	135,2	723,0	552,0	145,4	697,4	522,4	154,6	677,0	
	12	607,4	136,7	744,1	570,6	146,8	717,4	540,5	156,0	696,4	
	13	627,1	138,2	765,2	589,2	148,2	737,4	558,5	157,3	715,8	
	14	646,7	139,6	786,3	607,8	149,6	757,4	576,6	158,7	735,2	
	15	666,3	141,1	807,4	626,4	151,0	777,4	594,6	160,0	754,6	
	630	5	524,6	141,7	666,2	491,3	153,6	644,9	462,1	164,3	626,4
		6	546,5	143,3	689,8	512,0	155,2	667,2	482,2	165,8	648,0
		7	568,3	145,0	713,3	532,8	156,7	689,5	502,4	167,3	669,7
		8	590,2	146,6	736,9	553,6	158,3	711,9	522,5	168,8	691,3
9		612,1	148,3	760,4	574,3	159,9	734,2	542,6	170,3	713,0	
10		634,0	149,9	783,9	595,1	161,4	756,6	562,8	171,8	734,6	
11		655,9	151,6	807,5	615,9	163,0	778,9	582,9	173,3	756,3	
12		677,8	153,2	831,0	636,7	164,6	801,2	603,1	174,9	777,9	
13		699,7	154,9	854,6	657,4	166,1	823,6	623,2	176,4	799,6	
14		721,5	156,6	878,1	678,2	167,7	845,9	643,3	177,9	821,2	
15		743,4	158,2	901,6	699,0	169,3	868,2	663,5	179,4	842,9	
700		5	581,5	163,8	745,3	544,6	177,7	722,2	512,2	190,0	702,2
		6	605,7	165,8	771,5	567,6	179,5	747,0	534,5	191,7	726,3
		7	630,0	167,7	797,7	590,6	181,3	771,9	556,9	193,5	750,3
		8	654,3	169,6	823,8	613,6	183,1	796,7	579,2	195,2	774,4
	9	678,5	171,5	850,0	636,7	184,9	821,6	601,5	197,0	798,5	
	10	702,8	173,4	876,2	659,7	186,7	846,4	623,8	198,7	822,6	
	11	727,0	175,3	902,4	682,7	188,5	871,2	646,2	200,5	846,6	
	12	751,3	177,2	928,5	705,7	190,3	896,1	668,5	202,2	870,7	
	13	775,6	179,1	954,7	728,8	192,1	920,9	690,8	204,0	894,8	
	14	799,8	181,1	980,9	751,8	194,0	945,7	713,1	205,7	918,9	
	15	824,1	183,0	1007,1	774,8	195,8	970,6	735,5	207,5	942,9	

Cooling Capacities - SyScrew Water EVO RC - _ / S Version (continue)

Model	LWT °C	Condensing Temperature												
		29			34			39			44			
		P _{COOL}	P _{ABS}	P _{REJ}	P _{COOL}	P _{ABS}	P _{REJ}	P _{COOL}	P _{ABS}	P _{REJ}	P _{COOL}	P _{ABS}	P _{REJ}	
		kW	kW	kW	kW	kW	kW	kW	kW	kW	kW	kW	kW	
770	5	808,6	127,1	935,7	760,9	136,9	897,8	719,4	148,7	868,1	679,3	160,8	840,0	
	6	838,0	129,5	967,6	789,2	139,2	928,4	746,9	150,9	897,8	706,0	162,9	868,9	
	7	867,5	131,9	999,4	817,6	141,4	959,0	776,0	153,1	929,1	732,8	165,0	897,9	
	8	897,0	134,3	1031,3	846,0	143,7	989,7	802,0	155,3	957,3	759,6	167,2	926,8	
	9	926,4	136,7	1063,2	874,3	146,0	1020,3	829,5	157,5	987,0	786,4	169,3	955,7	
	10	955,9	139,1	1095,0	902,7	148,3	1051,0	857,1	159,6	1016,7	813,1	171,4	984,6	
	11	985,4	141,5	1126,9	931,0	150,6	1081,6	884,6	161,8	1046,5	839,9	173,6	1013,5	
	12	1014,9	143,9	1158,8	959,4	152,8	1112,2	912,2	164,0	1076,2	866,7	175,7	1042,4	
	13	1044,3	146,3	1190,6	987,8	155,1	1142,9	939,7	166,2	1105,9	893,4	177,9	1071,3	
	14	1073,8	148,7	1222,5	1016,1	157,4	1173,5	967,3	168,4	1135,7	920,2	180,0	1100,2	
	15	1103,3	151,1	1254,4	1044,5	159,7	1204,1	994,8	170,5	1165,4	947,0	182,1	1129,1	
	860	5	903,8	139,7	1043,5	850,5	150,5	1001,0	804,1	163,5	967,6	759,3	176,7	936,0
		6	936,7	142,4	1079,1	882,2	153,0	1035,2	834,9	165,9	1000,8	789,2	179,1	968,3
		7	969,7	145,0	1114,7	913,9	155,5	1069,4	867,4	168,3	1035,6	819,1	181,4	1000,5
		8	1002,6	147,6	1150,3	945,6	158,0	1103,6	896,5	170,7	1067,2	849,1	183,7	1032,8
9		1035,6	150,3	1185,8	977,3	160,5	1137,8	927,3	173,1	1100,3	879,0	186,1	1065,1	
10		1068,5	152,9	1221,4	1009,0	163,0	1172,0	958,1	175,5	1133,5	908,9	188,4	1097,3	
11		1101,5	155,5	1257,0	1040,7	165,5	1206,2	988,8	177,9	1166,7	938,8	190,8	1129,6	
12		1134,4	158,2	1292,6	1072,4	168,0	1240,4	1019,6	180,3	1199,9	968,7	193,1	1161,9	
13		1167,4	160,8	1328,1	1104,1	170,5	1274,6	1050,4	182,7	1233,1	998,7	195,5	1194,2	
14		1200,3	163,4	1363,7	1135,8	173,0	1308,8	1081,2	185,1	1266,3	1028,6	197,8	1226,4	
15		1233,2	166,0	1399,3	1167,5	175,5	1343,0	1112,0	187,5	1299,5	1058,5	200,2	1258,7	
920		5	974,1	149,3	1123,5	916,7	160,8	1077,5	866,7	174,7	1041,4	818,4	188,8	1007,2
		6	1009,6	152,1	1161,8	950,9	163,5	1114,3	899,9	177,3	1077,1	850,6	191,3	1042,0
		7	1045,2	154,9	1200,1	985,0	166,1	1151,2	934,9	179,8	1114,7	882,9	193,8	1076,7
		8	1080,7	157,8	1238,4	1019,2	168,8	1188,0	966,2	182,4	1148,6	915,1	196,4	1111,5
	9	1116,2	160,6	1276,7	1053,4	171,5	1224,9	999,4	185,0	1184,4	947,4	198,9	1146,3	
	10	1151,7	163,4	1315,1	1087,5	174,2	1261,7	1032,6	187,5	1220,1	979,6	201,4	1181,0	
	11	1187,2	166,2	1353,4	1121,7	176,8	1298,5	1065,8	190,1	1255,9	1011,9	203,9	1215,8	
	12	1222,7	169,0	1391,7	1155,9	179,5	1335,4	1099,0	192,6	1291,6	1044,1	206,4	1250,5	
	13	1258,2	171,8	1430,0	1190,0	182,2	1372,2	1132,2	195,2	1327,4	1076,4	208,9	1285,3	
	14	1293,7	174,6	1468,4	1224,2	184,9	1409,1	1165,4	197,8	1363,1	1108,6	211,4	1320,1	
	15	1329,2	177,4	1506,7	1258,4	187,6	1445,9	1198,6	200,3	1398,9	1140,9	213,9	1354,8	
	990	5	1046,0	160,2	1206,1	984,3	172,5	1156,8	930,6	187,4	1118,0	878,7	202,6	1081,3
		6	1084,1	163,2	1247,3	1021,0	175,4	1196,3	966,2	190,2	1156,4	913,4	205,3	1118,6
		7	1122,2	166,2	1288,4	1057,6	178,2	1235,9	1003,8	192,9	1196,7	948,0	208,0	1155,9
		8	1160,3	169,2	1329,6	1094,3	181,1	1275,4	1037,5	195,7	1233,1	982,6	210,6	1193,3
9		1198,5	172,3	1370,7	1131,0	184,0	1315,0	1073,1	198,4	1271,5	1017,2	213,3	1230,6	
10		1236,6	175,3	1411,9	1167,7	186,8	1354,5	1108,7	201,2	1309,9	1051,9	216,0	1267,9	
11		1274,7	178,3	1453,0	1204,4	189,7	1394,1	1144,4	203,9	1348,3	1086,5	218,7	1305,2	
12		1312,8	181,3	1494,1	1241,1	192,6	1433,7	1180,0	206,7	1386,7	1121,1	221,4	1342,5	
13		1351,0	184,3	1535,3	1277,8	195,5	1473,2	1215,7	209,4	1425,1	1155,8	224,1	1379,9	
14		1389,1	187,3	1576,4	1314,5	198,3	1512,8	1251,3	212,1	1463,4	1190,4	226,8	1417,2	
15		1427,2	190,4	1617,6	1351,1	201,2	1552,3	1286,9	214,9	1501,8	1225,0	229,5	1454,5	
1070		5	1118,8	173,4	1292,1	1052,8	186,7	1239,5	995,3	202,9	1198,2	939,9	219,3	1159,1
		6	1159,5	176,6	1336,2	1092,0	189,8	1281,8	1033,5	205,8	1239,3	976,9	222,2	1199,1
		7	1200,3	179,9	1380,2	1131,3	192,9	1324,2	1073,7	208,8	1282,5	1014,0	225,1	1239,0
		8	1241,1	183,2	1424,3	1170,5	196,0	1366,5	1109,7	211,8	1321,5	1051,0	228,0	1279,0
	9	1281,9	186,4	1468,3	1209,7	199,1	1408,9	1147,8	214,8	1362,6	1088,0	230,9	1318,9	
	10	1322,7	189,7	1512,4	1249,0	202,2	1451,2	1185,9	217,7	1403,7	1125,1	233,8	1358,9	
	11	1363,4	193,0	1556,4	1288,2	205,3	1493,6	1224,0	220,7	1444,7	1162,1	236,7	1398,9	
	12	1404,2	196,2	1600,5	1327,5	208,4	1535,9	1262,2	223,7	1485,8	1199,2	239,6	1438,8	
	13	1445,0	199,5	1644,5	1366,7	211,6	1578,3	1300,3	226,7	1526,9	1236,2	242,6	1478,8	
	14	1485,8	202,8	1688,5	1405,9	214,7	1620,6	1338,4	229,6	1568,0	1273,2	245,5	1518,7	
	15	1526,6	206,0	1732,6	1445,2	217,8	1663,0	1376,5	232,6	1609,1	1310,3	248,4	1558,7	

Model	LWT °C	Condensing Temperature									
		49			54			59			
		P _{COOL}	P _{ABS}	P _{REJ}	P _{COOL}	P _{ABS}	P _{REJ}	P _{COOL}	P _{ABS}	P _{REJ}	
		kW	kW	kW	kW	kW	kW	kW	kW	kW	
770	5	636,4	174,5	810,9	596,0	189,2	785,2	560,6	202,3	762,9	
	6	662,9	176,5	839,4	621,2	191,1	812,3	585,0	204,2	789,2	
	7	689,5	178,5	868,0	646,4	193,0	839,4	609,4	206,0	815,5	
	8	716,0	180,6	896,6	671,6	195,0	866,5	633,9	207,9	841,8	
	9	742,6	182,6	925,2	696,8	196,9	893,7	658,3	209,8	868,1	
	10	769,1	184,7	953,8	722,0	198,8	920,8	682,7	211,6	894,4	
	11	795,7	186,7	982,4	747,2	200,8	947,9	707,2	213,5	920,7	
	12	822,2	188,7	1011,0	772,4	202,7	975,0	731,6	215,3	947,0	
	13	848,8	190,8	1039,6	797,6	204,6	1002,2	756,0	217,2	973,2	
	14	875,3	192,8	1068,1	822,8	206,5	1029,3	780,5	219,1	999,5	
	15	901,9	194,8	1096,7	848,0	208,5	1056,4	804,9	220,9	1025,8	
	860	5	711,3	191,8	903,1	666,2	207,9	874,1	626,6	222,4	849,0
		6	741,0	194,0	935,0	694,3	210,1	904,4	653,9	224,4	878,3
		7	770,7	196,2	966,9	722,5	212,2	934,7	681,2	226,5	907,7
		8	800,4	198,5	998,9	750,7	214,3	965,0	708,5	228,5	937,1
9		830,1	200,7	1030,8	778,8	216,4	995,3	735,9	230,6	966,4	
10		859,7	203,0	1062,7	807,0	218,5	1025,5	763,2	232,6	995,8	
11		889,4	205,2	1094,6	835,2	220,7	1055,8	790,5	234,6	1025,1	
12		919,1	207,4	1126,5	863,3	222,8	1086,1	817,8	236,7	1054,5	
13		948,8	209,7	1158,5	891,5	224,9	1116,4	845,1	238,7	1083,8	
14		978,5	211,9	1190,4	919,7	227,0	1146,7	872,4	240,8	1113,2	
15		1008,1	214,2	1222,3	947,8	229,1	1177,0	899,7	242,8	1142,6	
920		5	766,7	204,9	971,6	718,0	222,2	940,2	675,4	237,6	913,0
		6	798,7	207,3	1006,0	748,4	224,5	972,9	704,8	239,8	944,6
		7	830,7	209,7	1040,4	778,7	226,7	1005,5	734,3	242,0	976,3
		8	862,7	212,1	1074,8	809,1	229,0	1038,1	763,7	244,2	1007,9
	9	894,7	214,5	1109,2	839,5	231,3	1070,7	793,1	246,4	1039,5	
	10	926,7	216,9	1143,5	869,8	233,5	1103,4	822,6	248,6	1071,1	
	11	958,6	219,3	1177,9	900,2	235,8	1136,0	852,0	250,7	1102,8	
	12	990,6	221,7	1212,3	930,5	238,1	1168,6	881,4	252,9	1134,4	
	13	1022,6	224,1	1246,7	960,9	240,3	1201,2	910,9	255,1	1166,0	
	14	1054,6	226,5	1281,1	991,3	242,6	1233,9	940,3	257,3	1197,6	
	15	1086,6	228,9	1315,5	1021,6	244,9	1266,5	969,8	259,5	1229,2	
	990	5	823,2	219,8	1043,1	771,0	238,4	1009,3	725,2	254,9	980,1
		6	857,6	222,4	1080,0	803,6	240,8	1044,4	756,8	257,3	1014,0
		7	891,9	225,0	1116,9	836,2	243,2	1079,4	788,4	259,6	1048,0
		8	926,3	227,5	1153,8	868,8	245,7	1114,4	820,0	262,0	1081,9
9		960,6	230,1	1190,7	901,4	248,1	1149,4	851,6	264,3	1115,9	
10		995,0	232,7	1227,6	933,9	250,5	1184,5	883,2	266,6	1149,9	
11		1029,3	235,2	1264,6	966,5	253,0	1219,5	914,8	269,0	1183,8	
12		1063,7	237,8	1301,5	999,1	255,4	1254,5	946,4	271,3	1217,8	
13		1098,0	240,4	1338,4	1031,7	257,8	1289,6	978,0	273,7	1251,7	
14		1132,4	242,9	1375,3	1064,3	260,2	1324,6	1009,6	276,0	1285,7	
15		1166,7	245,5	1412,2	1096,9	262,7	1359,6	1041,2	278,4	1319,6	
1070		5	880,5	237,9	1118,5	824,6	258,0	1082,6	775,6	275,9	1051,6
		6	917,3	240,7	1158,0	859,5	260,6	1120,1	809,5	278,4	1087,9
		7	954,0	243,5	1197,5	894,4	263,3	1157,6	843,3	281,0	1124,2
		8	990,8	246,3	1237,0	929,2	265,9	1195,1	877,1	283,5	1160,6
	9	1027,5	249,1	1276,5	964,1	268,5	1232,6	910,9	286,1	1196,9	
	10	1064,2	251,8	1316,1	999,0	271,2	1270,1	944,7	288,6	1233,3	
	11	1101,0	254,6	1355,6	1033,8	273,8	1307,6	978,5	291,1	1269,6	
	12	1137,7	257,4	1395,1	1068,7	276,4	1345,1	1012,3	293,7	1306,0	
	13	1174,4	260,2	1434,6	1103,6	279,0	1382,6	1046,1	296,2	1342,3	
	14	1211,2	262,9	1474,1	1138,4	281,7	1420,1	1079,9	298,8	1378,7	
	15	1247,9	265,7	1513,6	1173,3	284,3	1457,6	1113,7	301,3	1415,0	

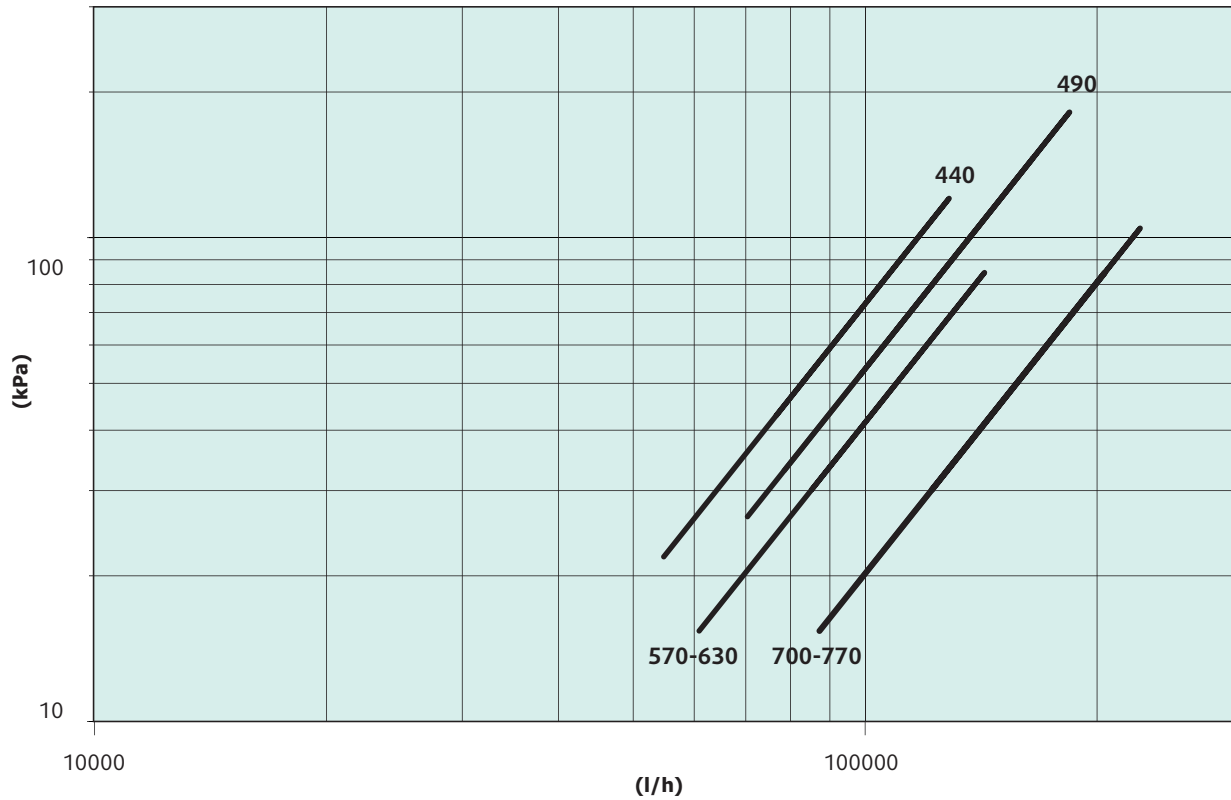
Cooling Capacities - SyScrew Water EVO RC - _ / S Version (continue)

Model	LWT °C	Condensing Temperature												
		29			34			39			44			
		P _{COOL}	P _{ABS}	P _{REJ}	P _{COOL}	P _{ABS}	P _{REJ}	P _{COOL}	P _{ABS}	P _{REJ}	P _{COOL}	P _{ABS}	P _{REJ}	
		kW	kW	kW	kW	kW	kW	kW	kW	kW	kW	kW	kW	
1130	5	1180,4	184,4	1364,9	1110,8	198,6	1309,4	1050,2	215,8	1266,0	991,7	233,2	1224,9	
	6	1223,5	187,9	1411,4	1152,2	201,9	1354,1	1090,4	218,9	1309,4	1030,8	236,3	1267,1	
	7	1266,5	191,4	1457,9	1193,6	205,2	1398,8	1132,8	222,1	1354,9	1069,9	239,4	1309,3	
	8	1309,5	194,8	1504,4	1235,0	208,5	1443,5	1170,9	225,3	1396,1	1109,0	242,5	1351,4	
	9	1352,6	198,3	1550,9	1276,4	211,8	1488,2	1211,1	228,4	1439,5	1148,0	245,6	1393,6	
	10	1395,6	201,8	1597,4	1317,9	215,1	1532,9	1251,3	231,6	1482,9	1187,1	248,7	1435,8	
	11	1438,6	205,2	1643,9	1359,3	218,4	1577,7	1291,5	234,7	1526,3	1226,2	251,8	1478,0	
	12	1481,6	208,7	1690,4	1400,7	221,7	1622,4	1331,8	237,9	1569,7	1265,3	254,9	1520,2	
	13	1524,7	212,2	1736,9	1442,1	225,0	1667,1	1372,0	241,1	1613,0	1304,4	258,0	1562,3	
	14	1567,7	215,7	1783,4	1483,5	228,3	1711,8	1412,2	244,2	1656,4	1343,4	261,1	1604,5	
	15	1610,7	219,1	1829,9	1524,9	231,6	1756,5	1452,4	247,4	1699,8	1382,5	264,2	1646,7	
	1220	5	1276,2	200,0	1476,2	1200,9	215,3	1416,2	1135,4	234,0	1369,4	1072,1	252,9	1325,0
		6	1322,7	203,7	1526,4	1245,7	218,9	1464,6	1178,9	237,4	1416,3	1114,4	256,2	1370,6
		7	1369,2	207,5	1576,7	1290,4	222,5	1512,9	1224,7	240,8	1465,6	1156,6	259,6	1416,2
		8	1415,7	211,3	1627,0	1335,2	226,1	1561,3	1265,8	244,3	1510,1	1198,9	263,0	1461,9
9		1462,3	215,0	1677,3	1380,0	229,7	1609,6	1309,3	247,7	1557,0	1241,1	266,3	1507,5	
10		1508,8	218,8	1727,6	1424,7	233,2	1658,0	1352,8	251,1	1603,9	1283,4	269,7	1553,1	
11		1555,3	222,6	1777,9	1469,5	236,8	1706,3	1396,3	254,6	1650,8	1325,6	273,0	1598,7	
12		1601,8	226,3	1828,1	1514,3	240,4	1754,7	1439,8	258,0	1697,7	1367,9	276,4	1644,3	
13		1648,3	230,1	1878,4	1559,0	244,0	1803,0	1483,2	261,4	1744,7	1410,1	279,8	1689,9	
14		1694,8	233,9	1928,7	1603,8	247,6	1851,4	1526,7	264,8	1791,6	1452,4	283,1	1735,5	
15		1741,4	237,6	1979,0	1648,5	251,2	1899,7	1570,2	268,3	1838,5	1494,6	286,5	1781,1	
1280		5	1339,7	209,6	1549,2	1260,7	225,6	1486,3	1191,9	245,2	1437,0	1125,5	265,0	1390,5
		6	1388,5	213,5	1602,0	1307,6	229,4	1537,0	1237,5	248,8	1486,3	1169,8	268,5	1438,3
		7	1437,3	217,4	1654,8	1354,6	233,1	1587,8	1285,6	252,4	1538,0	1214,2	272,0	1486,2
		8	1486,1	221,4	1707,5	1401,6	236,9	1638,5	1328,8	256,0	1584,8	1258,5	275,5	1534,1
	9	1535,0	225,3	1760,3	1448,6	240,7	1689,3	1374,4	259,6	1634,0	1302,9	279,1	1581,9	
	10	1583,8	229,3	1813,1	1495,6	244,4	1740,0	1420,1	263,1	1683,2	1347,2	282,6	1629,8	
	11	1632,6	233,2	1865,9	1542,6	248,2	1790,8	1465,7	266,7	1732,5	1391,6	286,1	1677,7	
	12	1681,5	237,2	1918,6	1589,6	251,9	1841,5	1511,4	270,3	1781,7	1435,9	289,6	1725,6	
	13	1730,3	241,1	1971,4	1636,6	255,7	1892,2	1557,0	273,9	1830,9	1480,3	293,2	1773,4	
	14	1779,1	245,1	2024,2	1683,5	259,4	1943,0	1602,7	277,5	1880,2	1524,6	296,7	1821,3	
	15	1828,0	249,0	2077,0	1730,5	263,2	1993,7	1648,3	281,1	1929,4	1569,0	300,2	1869,2	
	1400	5	1489,5	238,5	1728,0	1401,7	256,8	1658,5	1325,2	279,1	1604,2	1251,3	301,6	1552,9
		6	1543,8	243,0	1786,8	1453,9	261,1	1715,0	1375,9	283,2	1659,1	1300,7	305,6	1606,3
		7	1598,1	247,5	1845,6	1506,1	265,4	1771,5	1429,4	287,2	1716,7	1350,0	309,6	1659,6
		8	1652,4	252,0	1904,3	1558,4	269,6	1828,0	1477,4	291,3	1768,7	1399,3	313,6	1712,9
9		1706,7	256,5	1963,1	1610,6	273,9	1884,5	1528,2	295,4	1823,6	1448,6	317,6	1766,2	
10		1761,0	261,0	2021,9	1662,9	278,2	1941,1	1578,9	299,5	1878,4	1497,9	321,6	1819,5	
11		1815,2	265,5	2080,7	1715,1	282,5	1997,6	1629,7	303,6	1933,3	1547,2	325,7	1872,9	
12		1869,5	269,9	2139,5	1767,4	286,7	2054,1	1680,4	307,7	1988,1	1596,5	329,7	1926,2	
13		1923,8	274,4	2198,3	1819,6	291,0	2110,6	1731,2	311,8	2042,9	1645,8	333,7	1979,5	
14		1978,1	278,9	2257,1	1871,8	295,3	2167,1	1781,9	315,9	2097,8	1695,2	337,7	2032,8	
15		2032,4	283,4	2315,8	1924,1	299,6	2223,7	1832,7	320,0	2152,6	1744,5	341,7	2086,1	
1550		5	1612,6	250,6	1863,2	1517,5	269,9	1787,3	1434,7	293,2	1727,9	1354,7	316,9	1671,7
		6	1671,3	255,3	1926,7	1574,0	274,3	1848,4	1489,6	297,5	1787,1	1408,1	321,1	1729,3
		7	1730,1	260,1	1990,2	1630,6	278,8	1909,4	1547,5	301,8	1849,4	1461,5	325,3	1786,9
		8	1788,9	264,8	2053,7	1687,1	283,3	1970,5	1599,5	306,1	1905,6	1514,9	329,6	1844,5
	9	1847,7	269,5	2117,2	1743,7	287,8	2031,5	1654,4	310,4	1964,8	1568,3	333,8	1902,0	
	10	1906,5	274,2	2180,7	1800,3	292,3	2092,6	1709,4	314,7	2024,1	1621,7	338,0	1959,6	
	11	1965,2	278,9	2244,2	1856,8	296,8	2153,6	1764,3	319,0	2083,3	1675,1	342,2	2017,2	
	12	2024,0	283,7	2307,7	1913,4	301,3	2214,7	1819,2	323,3	2142,6	1728,4	346,4	2074,8	
	13	2082,8	288,4	2371,2	1969,9	305,8	2275,7	1874,2	327,6	2201,8	1781,8	350,6	2132,4	
	14	2141,6	293,1	2434,7	2026,5	310,3	2336,8	1929,1	331,9	2261,1	1835,2	354,8	2190,0	
	15	2200,4	297,8	2498,2	2083,1	314,8	2397,8	1984,1	336,2	2320,3	1888,6	359,0	2247,6	

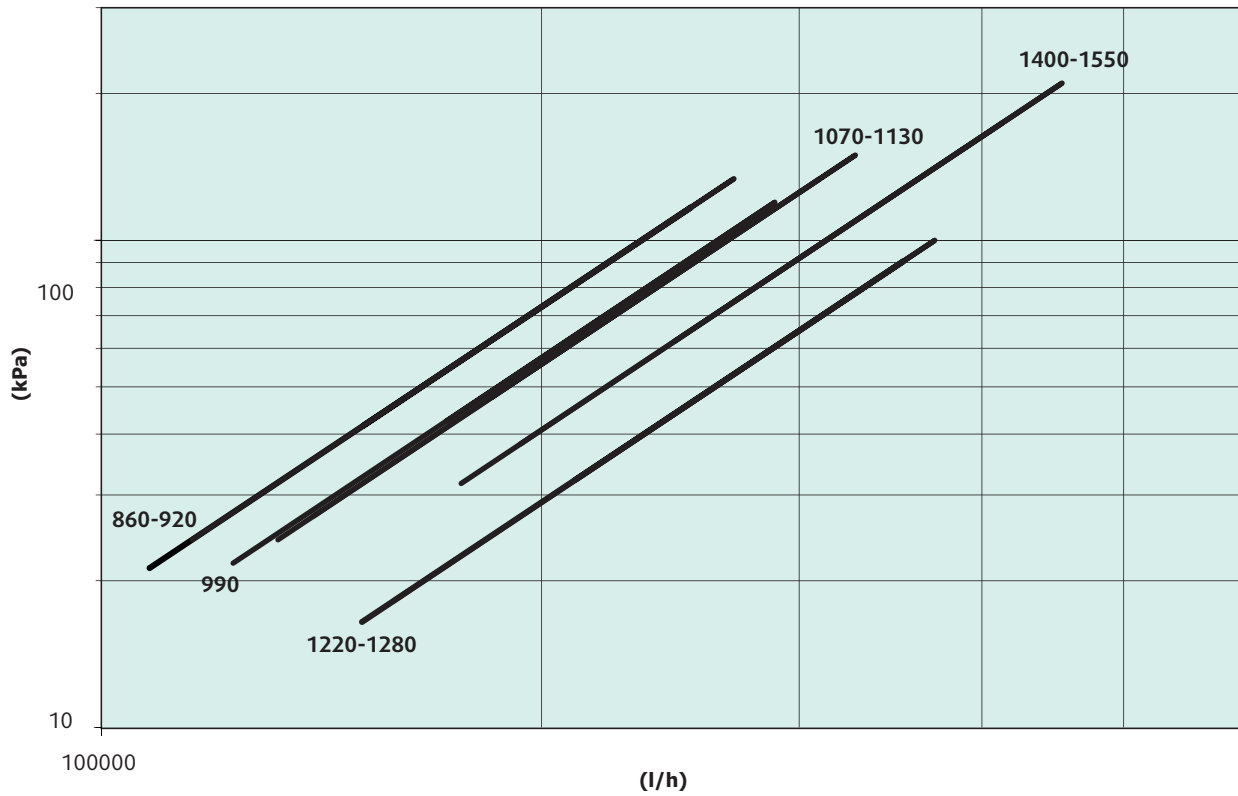
Model	LWT °C	Condensing Temperature									
		49			54			59			
		P _{COOL}	P _{ABS}	P _{REJ}	P _{COOL}	P _{ABS}	P _{REJ}	P _{COOL}	P _{ABS}	P _{REJ}	
		kW	kW	kW	kW	kW	kW	kW	kW	kW	
1130	5	929,1	253,1	1182,2	870,1	274,4	1144,5	818,4	293,5	1111,9	
	6	967,8	256,0	1223,9	906,9	277,2	1184,1	854,1	296,2	1150,2	
	7	1006,6	259,0	1265,6	943,7	280,0	1223,7	889,8	298,9	1188,6	
	8	1045,4	261,9	1307,3	980,5	282,8	1263,3	925,4	301,6	1227,0	
	9	1084,1	264,9	1349,0	1017,2	285,6	1302,9	961,1	304,3	1265,4	
	10	1122,9	267,9	1390,8	1054,0	288,4	1342,4	996,8	307,0	1303,7	
	11	1161,7	270,8	1432,5	1090,8	291,2	1382,0	1032,4	309,7	1342,1	
	12	1200,4	273,8	1474,2	1127,6	294,0	1421,6	1068,1	312,4	1380,5	
	13	1239,2	276,7	1515,9	1164,4	296,8	1461,2	1103,8	315,1	1418,9	
	14	1278,0	279,7	1557,6	1201,2	299,6	1500,8	1139,5	317,8	1457,2	
	15	1316,7	282,6	1599,4	1238,0	302,4	1540,4	1175,1	320,5	1495,6	
	1220	5	1004,4	274,4	1278,9	940,7	297,6	1238,2	884,8	318,2	1203,0
		6	1046,3	277,6	1324,0	980,4	300,6	1281,0	923,4	321,2	1244,5
		7	1088,3	280,8	1369,1	1020,2	303,6	1323,8	961,9	324,1	1286,0
		8	1130,2	284,1	1414,2	1060,0	306,7	1366,7	1000,5	327,0	1327,5
9		1172,1	287,3	1459,3	1099,7	309,7	1409,5	1039,0	329,9	1369,0	
10		1214,0	290,5	1504,4	1139,5	312,7	1452,3	1077,6	332,9	1410,5	
11		1255,9	293,7	1549,5	1179,3	315,8	1495,1	1116,2	335,8	1452,0	
12		1297,8	296,9	1594,7	1219,1	318,8	1537,9	1154,7	338,7	1493,5	
13		1339,7	300,1	1639,8	1258,8	321,8	1580,7	1193,3	341,7	1535,0	
14		1381,6	303,3	1684,9	1298,6	324,9	1623,5	1231,9	344,6	1576,5	
15		1423,5	306,5	1730,0	1338,4	327,9	1666,3	1270,4	347,5	1617,9	
1280		5	1054,4	287,6	1342,0	987,4	311,8	1299,3	928,8	333,5	1262,3
		6	1098,4	290,9	1389,3	1029,2	315,0	1344,2	969,3	336,5	1305,8
		7	1142,4	294,3	1436,7	1070,9	318,2	1389,1	1009,8	339,6	1349,4
		8	1186,4	297,6	1484,0	1112,7	321,4	1434,1	1050,2	342,7	1392,9
	9	1230,4	301,0	1531,4	1154,4	324,5	1479,0	1090,7	345,7	1436,5	
	10	1274,4	304,4	1578,7	1196,2	327,7	1523,9	1131,2	348,8	1480,0	
	11	1318,3	307,7	1626,1	1237,9	330,9	1568,8	1171,7	351,9	1523,6	
	12	1362,3	311,1	1673,4	1279,7	334,1	1613,8	1212,2	354,9	1567,1	
	13	1406,3	314,4	1720,8	1321,4	337,3	1658,7	1252,7	358,0	1610,7	
	14	1450,3	317,8	1768,1	1363,2	340,4	1703,6	1293,1	361,1	1654,2	
	15	1494,3	321,1	1815,5	1404,9	343,6	1748,6	1333,6	364,1	1697,8	
	1400	5	1172,3	327,3	1499,6	1097,9	354,9	1452,8	1032,7	379,5	1412,2
		6	1221,2	331,1	1552,4	1144,3	358,5	1502,8	1077,7	383,0	1460,7
		7	1270,1	335,0	1605,1	1190,7	362,2	1552,9	1122,7	386,5	1509,2
		8	1319,1	338,8	1657,8	1237,1	365,8	1602,9	1167,7	390,0	1557,7
9		1368,0	342,6	1710,6	1283,6	369,4	1653,0	1212,7	393,5	1606,2	
10		1416,9	346,4	1763,3	1330,0	373,0	1703,0	1257,7	397,0	1654,7	
11		1465,8	350,2	1816,0	1376,4	376,6	1753,0	1302,7	400,5	1703,2	
12		1514,7	354,1	1868,8	1422,8	380,2	1803,1	1347,7	404,0	1751,7	
13		1563,6	357,9	1921,5	1469,2	383,9	1853,1	1392,8	407,5	1800,2	
14		1612,5	361,7	1974,2	1515,7	387,5	1903,1	1437,8	411,0	1848,8	
15		1661,4	365,5	2027,0	1562,1	391,1	1953,2	1482,8	414,5	1897,3	
1550		5	1269,2	343,9	1613,1	1188,6	372,9	1561,5	1118,0	398,8	1516,8
		6	1322,1	348,0	1670,1	1238,8	376,7	1615,6	1166,7	402,5	1569,2
		7	1375,1	352,0	1727,1	1289,1	380,5	1669,7	1215,5	406,2	1621,6
		8	1428,0	356,0	1784,0	1339,4	384,3	1723,7	1264,2	409,8	1674,0
	9	1481,0	360,0	1841,0	1389,6	388,1	1777,8	1312,9	413,5	1726,4	
	10	1534,0	364,0	1898,0	1439,9	392,0	1831,8	1361,6	417,2	1778,8	
	11	1586,9	368,0	1954,9	1490,1	395,8	1885,9	1410,4	420,8	1831,2	
	12	1639,9	372,0	2011,9	1540,4	399,6	1939,9	1459,1	424,5	1883,6	
	13	1692,8	376,1	2068,9	1590,6	403,4	1994,0	1507,8	428,2	1936,0	
	14	1745,8	380,1	2125,8	1640,9	407,2	2048,0	1556,6	431,9	1988,4	
	15	1798,7	384,1	2182,8	1691,1	411,0	2102,1	1605,3	435,5	2040,8	

Evaporator Pressure Drop

Size	Nom. Capacity	Qnom.	Qmax.	Qmin.	K	Dp nom	DP max	DP min
	kW	l/h	l/h	l/h	kPa/(l/h) ²	kPa	kPa	kPa
440	446	76.696	127.827	54.783	7,297E-09	42,9	119,2	21,9
490	496	85.256	142.094	60.897	4,149E-09	30,2	83,8	15,4
570	573	98.502	164.170	70.359	5,354E-09	52,0	144,3	26,5
630	639	109.937	183.229	78.527	5,354E-09	64,7	179,8	33,0
700	710	122.159	203.598	87.256	2,021E-09	30,2	83,8	15,4
770	789	135.759	226.266	96.971	2,021E-09	37,2	103,5	19,0

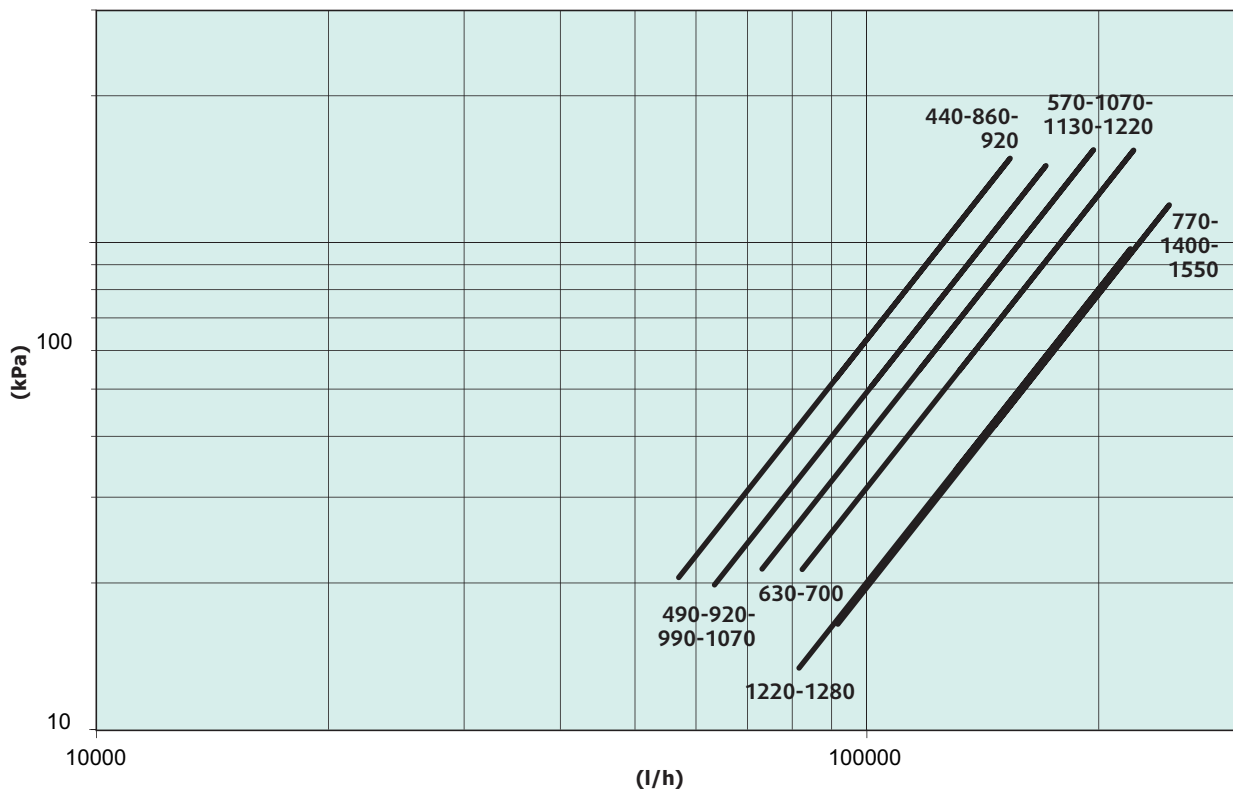


Size	Nom. Capacity	Qnom.	Qmax.	Qmin.	K	Dp nom	DP max	DP min
	kW	l/h	l/h	l/h	kPa/(l/h) ²	kPa	kPa	kPa
860	878	151.049	251.749	107.892	1,824E-09	41,6	115,6	21,2
920	939	161.546	269.244	115.390	1,824E-09	47,6	132,2	24,3
990	1.002	172.290	287.150	123.064	1,435E-09	42,6	118,3	21,7
1070	1.075	184.901	308.168	132.072	1,392E-09	47,6	132,2	24,3
1130	1.137	195.575	325.959	139.697	1,392E-09	53,2	147,9	27,2
1220	1.227	211.038	351.730	150.742	7,245E-10	32,3	89,6	16,5
1280	1.289	221.624	369.374	158.303	7,245E-10	35,6	98,8	18,2
1400	1.434	246.703	411.172	176.217	1,020E-09	62,1	172,5	31,7
1550	1.574	270.809	451.349	193.435	1,020E-09	74,8	207,8	38,2



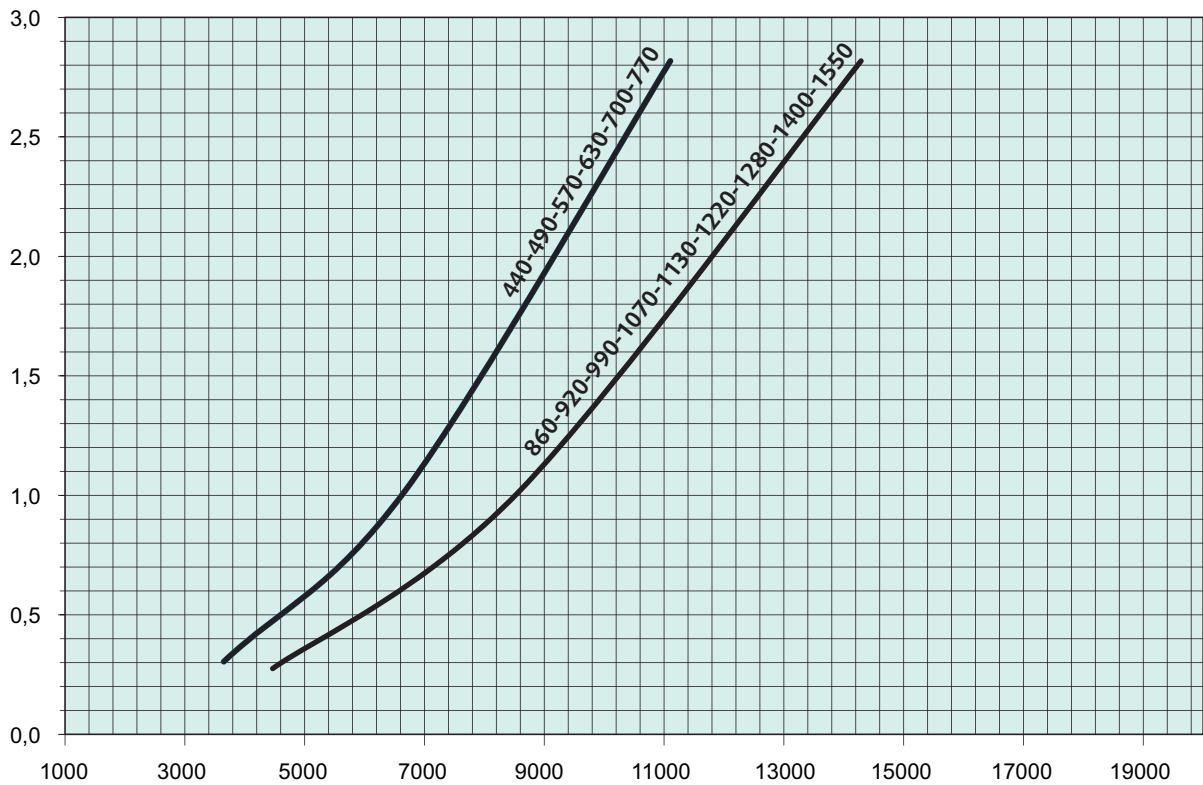
Condenser Pressure Drop

Size	Nom. Capacity	Qnom.	Qmax.	Qmin.	K	Dp nom	DP max	DP min
	kW	l/h	l/h	l/h	kPa/(l/h) ²	kPa	kPa	kPa
440	530	91178	151964	56987	6,320E-09	52,5	146,0	20,5
490	590	101472	169120	63420	4,928E-09	50,7	141,0	19,8
570	680	116977	194961	73110	3,997E-09	54,7	151,9	21,4
630	760	130648	217746	81655	2,007E-09	34,3	95,2	13,4
700	846	145519	242532	90949	2,007E-09	42,5	118,0	16,6
770	939	161566	269276	100979	1,958E-09	51,1	142,0	20,0
860	522	89857	149761	56160	6,320E-09	51,0	141,8	19,9
920	525	90315	150525	56447	6,320E-09	51,6	143,2	20,1
	592	101844	169741	63653	4,928E-09	51,1	142,0	20,0
990	596	102507	170845	64067	4,928E-09	51,8	143,8	20,2
1070	601	103347	172245	64592	4,928E-09	52,6	146,2	20,6
	678	116541	194234	72838	3,997E-09	54,3	150,8	21,2
1130	676	116249	193749	72656	3,997E-09	54,0	150,1	21,1
1220	686	118001	196668	73751	3,997E-09	55,7	154,6	21,7
	774	133065	221775	83166	3,138E-09	55,6	154,3	21,7
1280	767	131888	219813	82430	3,138E-09	54,6	151,6	21,3
1400	853	146721	244535	91701	1,958E-09	42,2	117,1	16,5
1550	935	160884	268140	100552	1,958E-09	50,7	140,8	19,8



Desuperheater Pressure Drop

Size	Nom. Capacity*	Qnom.	Qmax.	Qmin.	K	Dp nom	DP max	DP min
	kW	l/h	l/h	l/h	kPa/(l/h) ²	kPa	kPa	kPa
440	34	5927	9878	3704	2,285E-08	0,8	2,2	0,3
490	38	6596	10993	4122	2,285E-08	1,0	2,8	0,4
570	44	7603	12672	4752	1,380E-08	0,8	2,2	0,3
630	49	8492	14154	5308	1,380E-08	1,0	2,8	0,4
700	not available							
770	not available							
860	34	5841	9734	3650	2,285E-08	0,8	2,2	0,3
920	36	6245	10409	3903	2,285E-08	0,9	2,5	0,3
990	39	6663	11105	4164	2,285E-08	1,0	2,8	0,4
1070	42	7146	11911	4466	1,380E-08	0,7	2,0	0,3
1130	44	7556	12594	4723	1,380E-08	0,8	2,2	0,3
1220	47	8160	13599	5100	1,380E-08	0,9	2,6	0,4
1280	50	8573	14288	5358	1,380E-08	1,0	2,8	0,4
1400	not available							
1550	not available							



* Capacity referred to only one circuit.
Cooling mode conditions: evaporator EWT/LWT 12°C/7°C, condenser EWT/LWT 30°C/35°C, desuperheater EWT/LWT 40°C/45°C.

Weights Distributions

SyScrew Water CO/HP/BC _	Weight distribution				Operating weight	Shipping weight	P coordinates		CG	
	F1	F2	F3	F4			a	b	x	y
	kg	kg	kg	kg			mm	mm	mm	mm
440	619	764	581	726	2.690	2.509	1.050	2.200	582	1.069
490	634	773	589	729	2.725	2.538	1.050	2.200	579	1.064
570	683	832	627	776	2.918	2.701	1.050	2.200	579	1.057
630	746	861	659	774	3.040	2.807	1.050	2.200	565	1.037
700	826	1.021	740	936	3.523	3.185	1.050	2.200	583	1.047
770	849	1.042	756	949	3.597	3.252	1.050	2.200	581	1.043
860	1.242	1.783	1.006	1.548	5.579	5.124	1.220	2.400	728	1.099
920	1.254	1.791	1.016	1.553	5.615	5.154	1.220	2.400	727	1.098
990	1.301	1.861	1.052	1.612	5.826	5.266	1.220	2.400	727	1.097
1070	1.325	1.886	1.088	1.649	5.948	5.400	1.220	2.400	725	1.104
1130	1.374	1.934	1.094	1.654	6.055	5.505	1.220	2.400	723	1.089
1220	1.391	1.951	1.112	1.672	6.126	5.596	1.220	2.400	722	1.091
1280	1.413	1.970	1.117	1.674	6.175	5.638	1.220	2.400	720	1.085
1400	1.397	2.109	1.288	1.999	6.793	6.132	1.220	2.400	738	1.161
1550	1.409	2.141	1.303	2.035	6.888	6.227	1.220	2.400	740	1.163

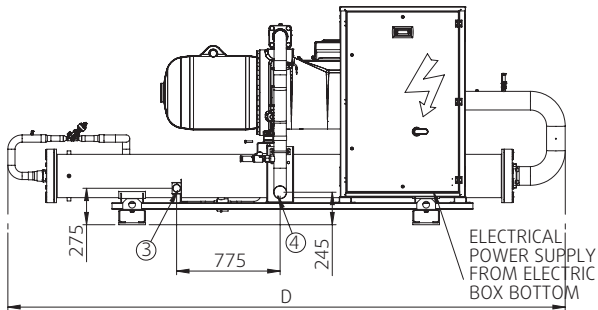
SyScrew Water CO/HP/BC _ S	Weight distribution				Operating weight	Shipping weight	P coordinates		CG	
	F1	F2	F3	F4			a	b	x	y
	kg	kg	kg	kg			mm	mm	mm	mm
440	651	829	613	791	2.884	2.703	1.050	2.200	590	1.071
490	666	838	622	794	2.919	2.732	1.050	2.200	587	1.067
570	716	897	659	840	3.112	2.895	1.050	2.200	586	1.060
630	778	926	691	839	3.234	3.001	1.050	2.200	573	1.041
700	858	1.086	773	1.001	3.717	3.379	1.050	2.200	589	1.049
770	882	1.107	789	1.014	3.791	3.446	1.050	2.200	587	1.046
860	1.309	1.910	1.073	1.674	5.966	5.511	1.220	2.400	733	1.105
920	1.321	1.918	1.083	1.680	6.002	5.541	1.220	2.400	731	1.105
990	1.368	1.988	1.119	1.739	6.213	5.653	1.220	2.400	732	1.104
1070	1.392	2.013	1.155	1.776	6.335	5.787	1.220	2.400	730	1.110
1130	1.440	2.061	1.160	1.781	6.442	5.892	1.220	2.400	727	1.096
1220	1.457	2.078	1.179	1.799	6.513	5.983	1.220	2.400	726	1.097
1280	1.480	2.097	1.184	1.801	6.562	6.025	1.220	2.400	725	1.092
1400	1.400	2.299	1.291	2.190	7.180	6.519	1.220	2.400	763	1.163
1550	1.412	2.332	1.306	2.226	7.275	6.614	1.220	2.400	764	1.165

SyScrew Water RC _	Weight distribution				Operating weight	Shipping weight	P coordinates		CG	
	F1	F2	F3	F4			a	b	x	y
	kg	kg	kg	kg			mm	mm	mm	mm
440	401	675	476	750	2.302	2.159	1.050	2.200	650	1.172
490	402	678	478	754	2.312	2.169	1.050	2.200	650	1.171
570	426	726	502	802	2.456	2.285	1.050	2.200	653	1.169
630	429	732	506	809	2.476	2.305	1.050	2.200	654	1.168
700	507	890	586	969	2.952	2.676	1.050	2.200	661	1.159
770	513	903	593	983	2.992	2.716	1.050	2.200	662	1.159
860	811	1.611	791	1.591	4.804	4.425	1.220	2.400	813	1.190
920	810	1.613	794	1.597	4.814	4.435	1.220	2.400	813	1.192
990	844	1.676	823	1.655	4.998	4.526	1.220	2.400	813	1.190
1070	842	1.690	846	1.694	5.071	4.613	1.220	2.400	814	1.202
1130	865	1.727	839	1.701	5.131	4.673	1.220	2.400	815	1.188
1220	866	1.736	849	1.719	5.170	4.739	1.220	2.400	815	1.192
1280	874	1.749	846	1.721	5.190	4.759	1.220	2.400	816	1.187
1400	823	1.775	1.023	1.975	5.596	5.073	1.220	2.400	818	1.285
1550	832	1.803	1.035	2.006	5.676	5.153	1.220	2.400	819	1.286

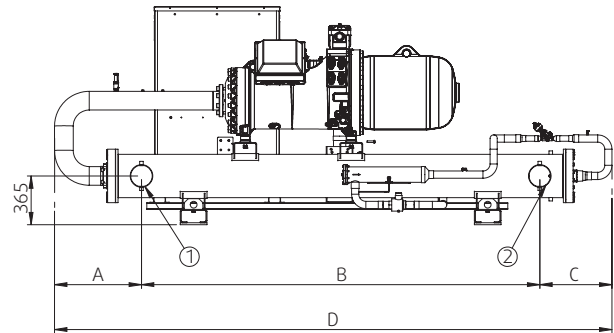
SyScrew Water RC _ S	Weight distribution				Operating weight	Shipping weight	P coordinates		CG	
	F1	F2	F3	F4			a	b	x	y
	kg	kg	kg	kg			mm	mm	mm	mm
440	433	740	508	815	2.496	2.353	1.050	2.200	654	1.166
490	435	743	510	818	2.506	2.363	1.050	2.200	654	1.166
570	458	790	535	867	2.650	2.479	1.050	2.200	657	1.163
630	461	797	538	874	2.670	2.499	1.050	2.200	657	1.163
700	540	954	619	1.033	3.146	2.870	1.050	2.200	663	1.155
770	546	967	626	1.047	3.186	2.910	1.050	2.200	664	1.155
860	878	1.738	858	1.718	5.191	4.812	1.220	2.400	812	1.191
920	877	1.739	861	1.723	5.201	4.822	1.220	2.400	812	1.193
990	911	1.803	890	1.782	5.385	4.913	1.220	2.400	812	1.191
1070	908	1.817	912	1.821	5.458	5.000	1.220	2.400	813	1.202
1130	931	1.854	905	1.828	5.518	5.060	1.220	2.400	814	1.189
1220	933	1.863	915	1.845	5.557	5.126	1.220	2.400	814	1.192
1280	941	1.876	913	1.848	5.577	5.146	1.220	2.400	815	1.188
1400	827	1.966	1.026	2.165	5.983	5.460	1.220	2.400	842	1.280
1550	835	1.994	1.038	2.196	6.063	5.540	1.220	2.400	843	1.280

Dimensions SyScrew 440-770 Water EVO RC

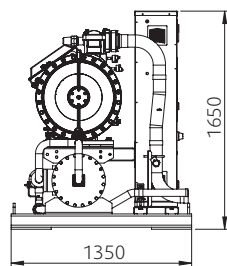
Front view



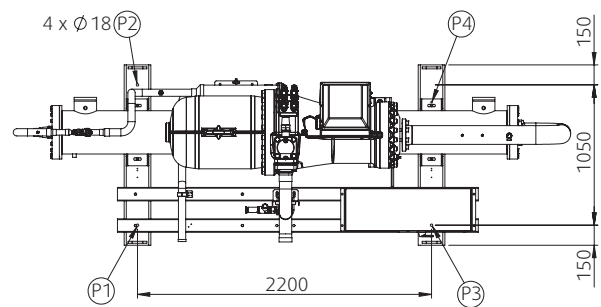
Side view



Back view



Top view



NOTES

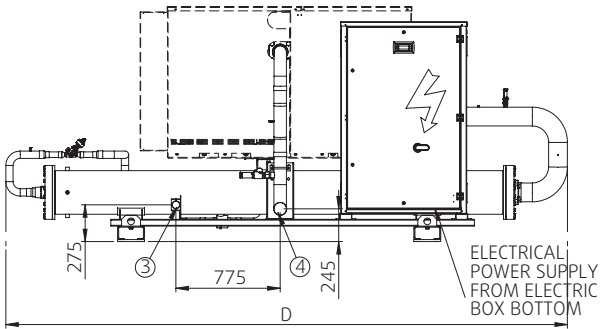
- 1 Evaporator water inlet victaulic connection
- 2 Evaporator water outlet victaulic connection
- 3 Liquid connection
- 4 Discharge connection

P1, P2, P3, P4 AVM position

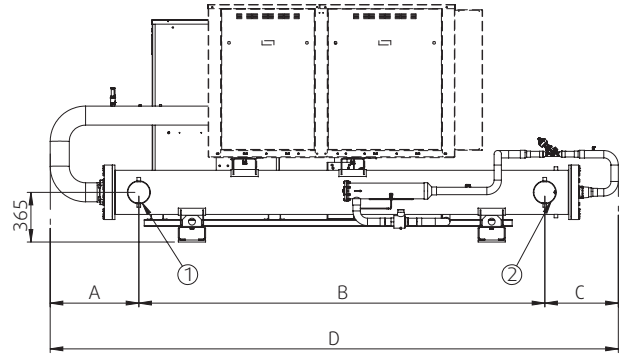
Size	A	B	C	D	dia 1-2	dia 3	dia 4
440-490	650	2.410	560	3.620	DN150(6")	1 5/8"	3 1/8"
570-630	680	2.980	550	4.210	DN150(6")	2 1/8"	3 5/8"
700-770	720	2.860	600	4.180	DN150(6")	2 1/8"	4 1/8"

Dimensions SyScrew 440-770 Water EVO RC_S

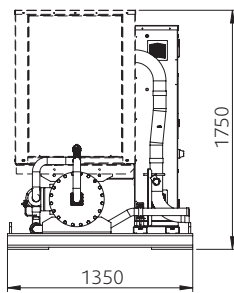
Front view



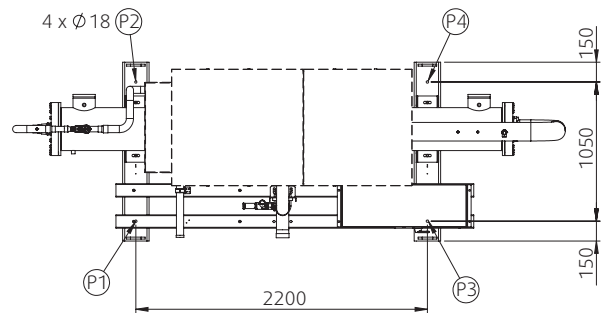
Side view



Back view



Top view



NOTES

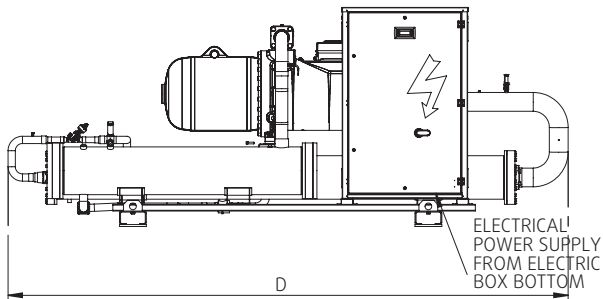
- 1 Evaporator water inlet victaulic connection
- 2 Evaporator water outlet victaulic connection
- 3 Liquid connection
- 4 Discharge connection

P1, P2, P3, P4 AVM position

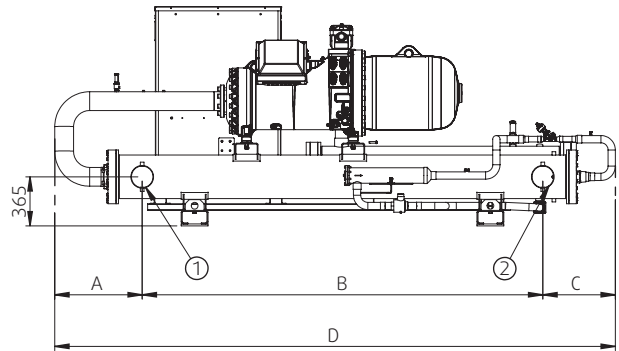
Size	A	B	C	D	dia 1-2	dia 3	dia 4
440-490	650	2.410	560	3.620	DN150(6")	1 5/8"	3 1/8"
570-630	680	2.980	550	4.210	DN150(6")	2 1/8"	3 5/8"
700-770	720	2.860	600	4.180	DN150(6")	2 1/8"	4 1/8"

Dimensions SyScrew 440-770 Water EVO CO / HP

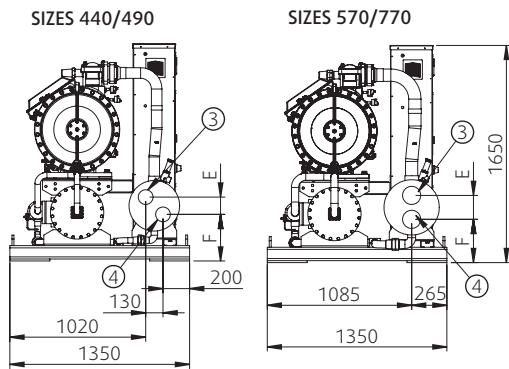
Front view



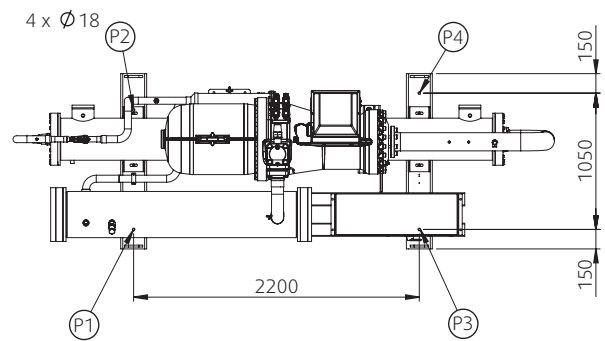
Side view



Back view



Top view



NOTES

- 1 Evaporator water inlet victaulic connection
- 2 Evaporator water outlet victaulic connection
- 3 Condenser water inlet victaulic connection
- 4 Condenser water outlet victaulic connection

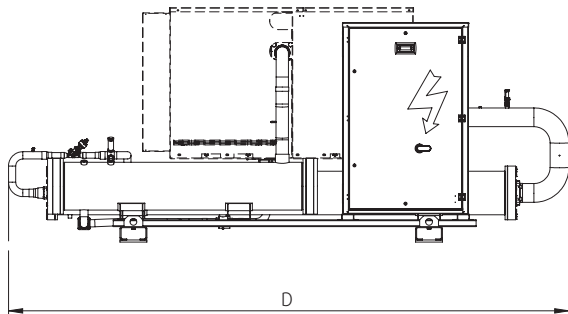
P1, P2, P3, P4 AVM position

Size	A	B	C	D
440-490	650	2.410	560	3.620
570	680	2.980	550	4.210
630	680	2.980	550	4.210
700-770	720	2.860	600	4.180

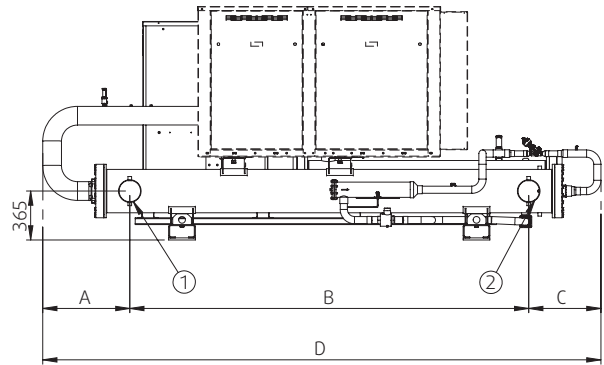
Size	E	F	dia 1-2	dia 3-4
440-490	130	350	DN 150 (6")	DN 100 (4")
570	180	325	DN 150 (6")	DN 125 (5")
630	680	2.980	DN 150 (6")	DN 125 (5")
700-770	720	2.860	DN 200 (8")	DN 125 (5")

Dimensions SyScrew 440-770 Water EVO CO / HP_S

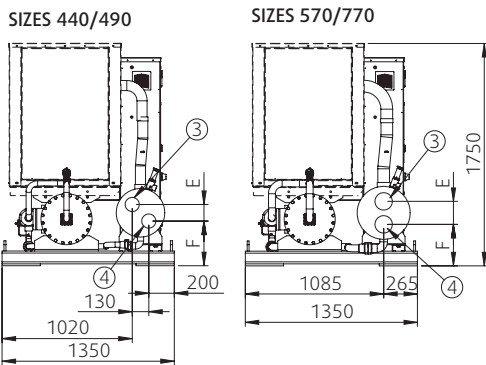
Front view



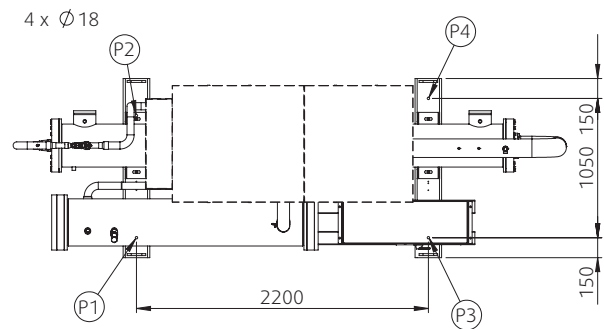
Side view



Back view



Top view



NOTES

- 1 Evaporator water inlet victaulic connection
- 2 Evaporator water outlet victaulic connection
- 3 Condenser water inlet victaulic connection
- 4 Condenser water outlet victaulic connection

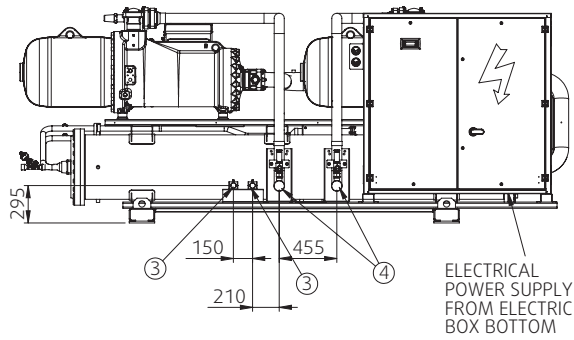
P1, P2, P3, P4 AVM position

Size	A	B	C	D
440-490	650	2.410	560	3.620
570	680	2.980	550	4.210
630	680	2.980	550	4.210
700-770	720	2.860	600	4.180

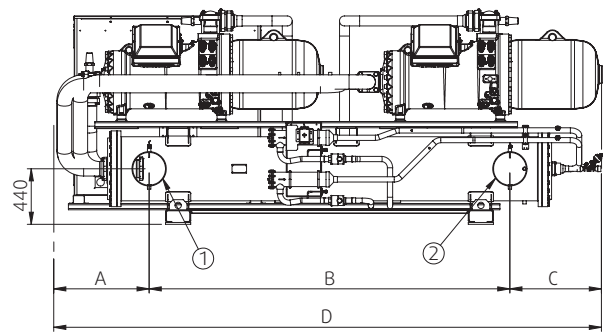
Size	E	F	día 1-2	día 3-4
440-490	130	350	DN 150 (6")	DN 100 (4")
570	180	325	DN 150 (6")	DN 125 (5")
630	680	2.980	DN 150 (6")	DN 125 (5")
700-770	720	2.860	DN 200 (8")	DN 125 (5")

Dimensions SyScrew 860-1550 Water EVO RC

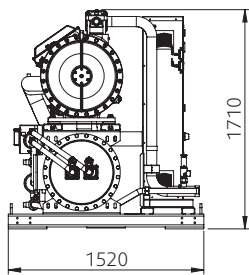
Front view



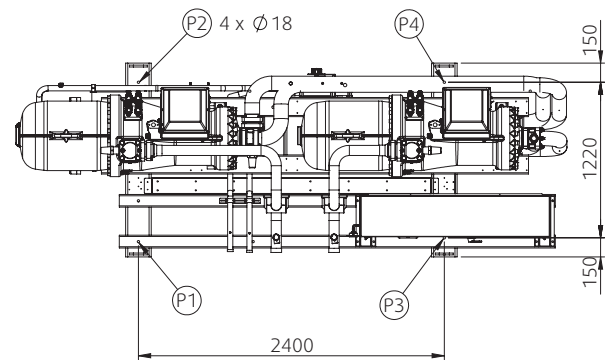
Side view



Back view



Top view



NOTES

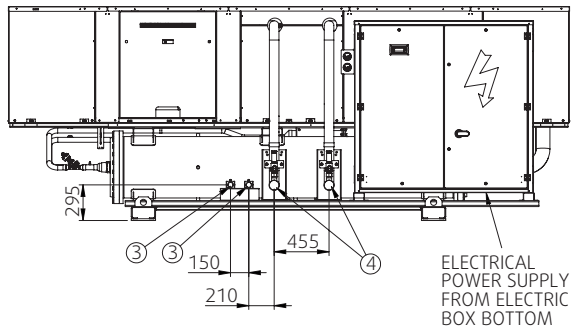
- 1 Evaporator water inlet victaulic connection
- 2 Evaporator water outlet victaulic connection
- 3 Liquid connection
- 4 Discharge connection

P1, P2, P3, P4 AVM position

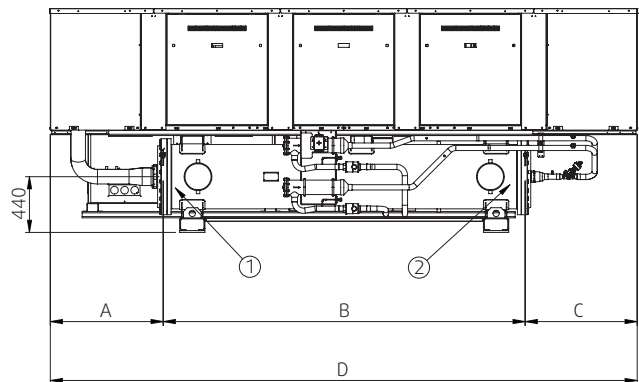
Size	A	B	C	D	dia 1-2	dia 3	dia 4
860	1.090	2.310	1.000	4.400	DN200(8")	1 5/8"	3 1/8"
920	1.090	2.310	1.000	4.400	DN200(8")	1 5/8"	3 1/8"
990	850	2.860	890	4.600	DN200(8")	1 5/8"	3 1/8"
1070	850	2.860	940	4.650	DN200(8")	2 1/8"	3 1/8"
1130	850	2.860	940	4.650	DN200(8")	2 1/8"	3 1/8"
1220	850	2.860	940	4.650	DN200(8")	2 1/8"	3 1/8"
1280	850	2.860	940	4.650	DN200(8")	2 1/8"	3 1/8"
1400	830	3.570	950	5.350	DN250(10")	2 1/8"	4 1/8"
1550	830	3.570	950	5.350	DN250(10")	2 1/8"	4 1/8"

Dimensions SyScrew 860-1550 Water EVO RC_S

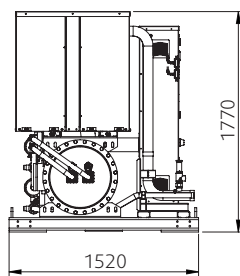
Front view



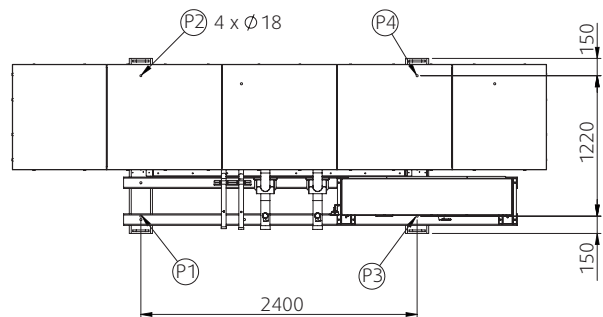
Side view



Back view



Top view



NOTES

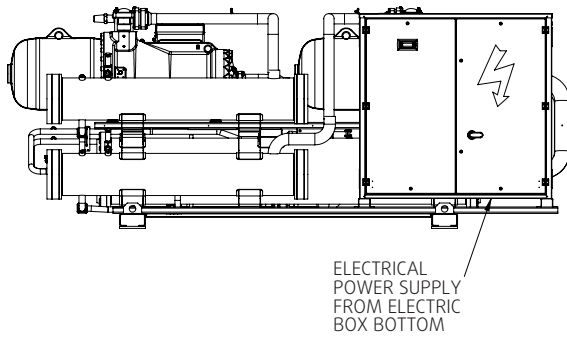
- 1 Evaporator water inlet victaulic connection
- 2 Evaporator water outlet victaulic connection
- 3 Liquid connection
- 4 Discharge connection

P1, P2, P3, P4 AVM position

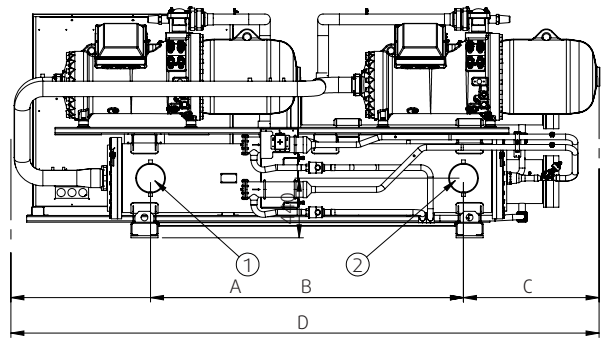
Size	A	B	C	D	dia 1-2	dia 3	dia 4
860	1.170	2.310	1.170	4.650	DN200(8")	1 5/8"	3 1/8"
920	1.170	2.310	1.170	4.650	DN200(8")	1 5/8"	3 1/8"
990	890	2.860	900	4.650	DN200(8")	1 5/8"	3 1/8"
1070	890	2.860	900	4.650	DN200(8")	2 1/8"	3 1/8"
1130	890	2.860	900	4.650	DN200(8")	2 1/8"	3 1/8"
1220	890	2.860	900	4.650	DN200(8")	2 1/8"	3 1/8"
1280	890	2.860	960	4.710	DN200(8")	2 1/8"	3 1/8"
1400	830	3.570	950	5.350	DN250(10")	2 1/8"	4 1/8"
1550	830	3.570	950	5.350	DN250(10")	2 1/8"	4 1/8"

Dimensions SyScrew 860-1550 Water EVO CO / HP

Front view

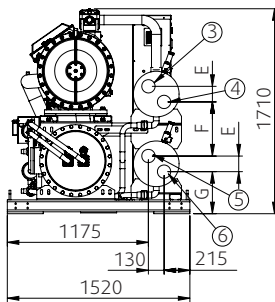


Side view

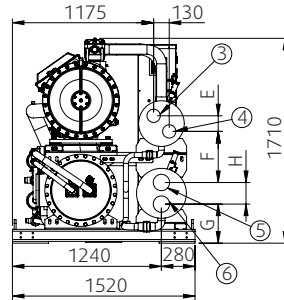


Back view

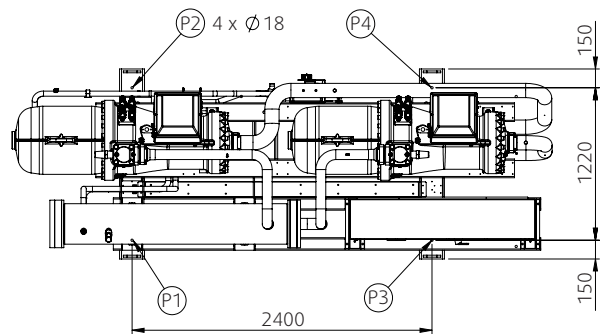
SIZES 860/990



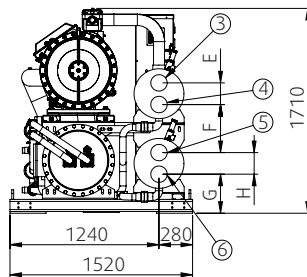
SIZES 1070



Top view



SIZES 1130/1550



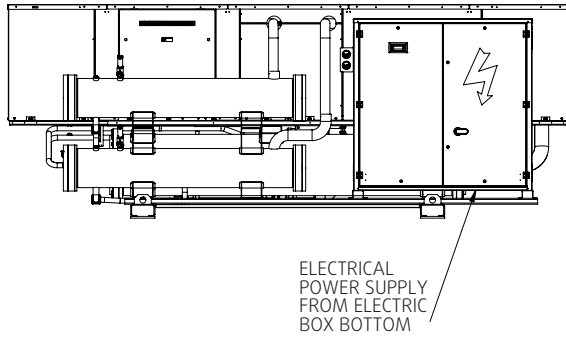
NOTES

- 1 Evaporator water inlet victaulic connection
- 2 Evaporator water outlet victaulic connection
- 3 Condenser water inlet victaulic connection
- 4 Condenser water outlet victaulic connection

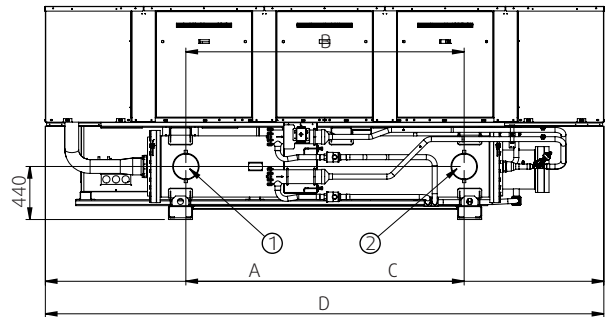
P1, P2, P3, P4 AVM position

Dimensions SyScrew 860-1550 Water EVO CO / HP_S

Front view

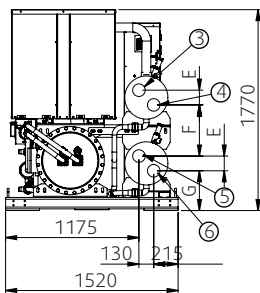


Side view

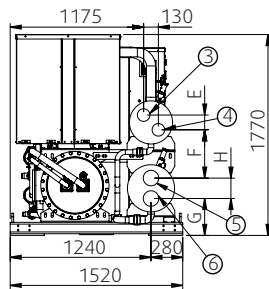


Back view

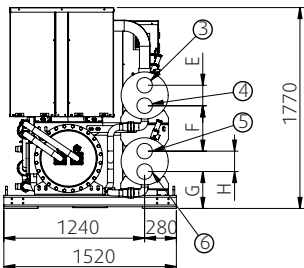
SIZES 860/990



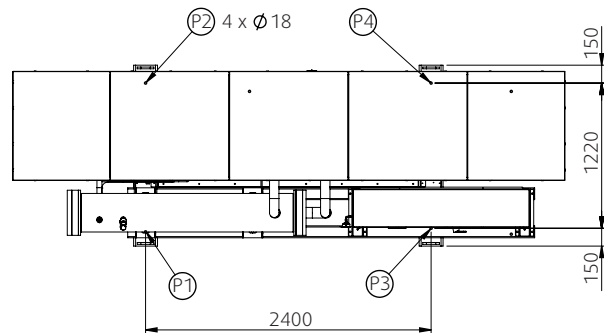
SIZES 1070



SIZES 1130/1550



Top view

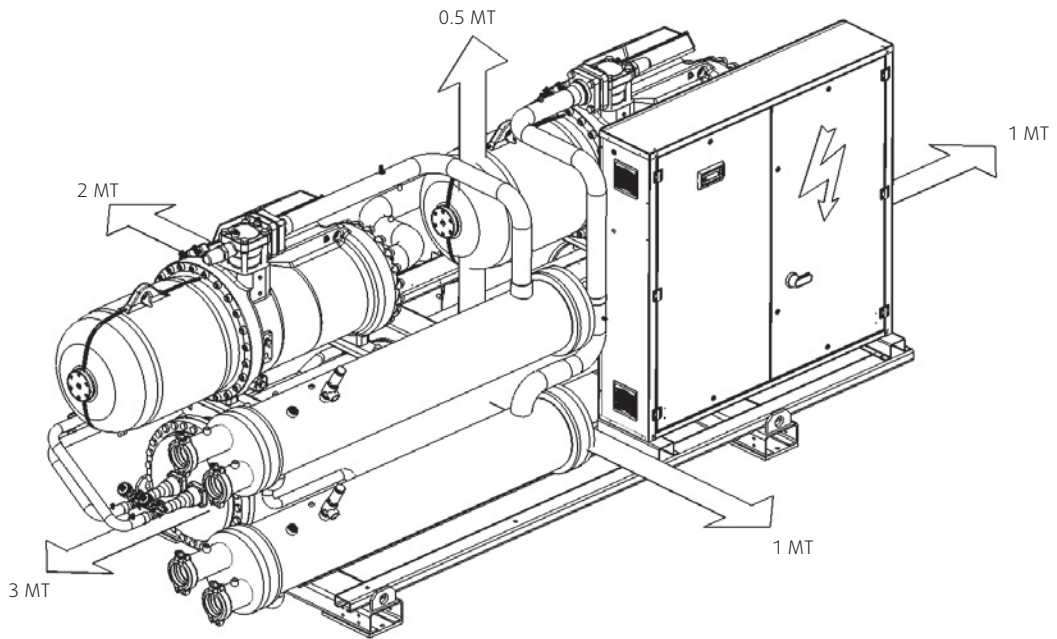


NOTES

- 1 Evaporator water inlet victaulic connection
- 2 Evaporator water outlet victaulic connection
- 3 Condenser water inlet victaulic connection
- 4 Condenser water outlet victaulic connection

P1, P2, P3, P4 AVM position

Space Requirements





Systemair srl
Via XXV Aprile, 29
20825 Barlassina (MB)
Italy

Tel. +39 0362 680 1
Fax +39 0362 680 693

info@systemair.it
www.systemair.com